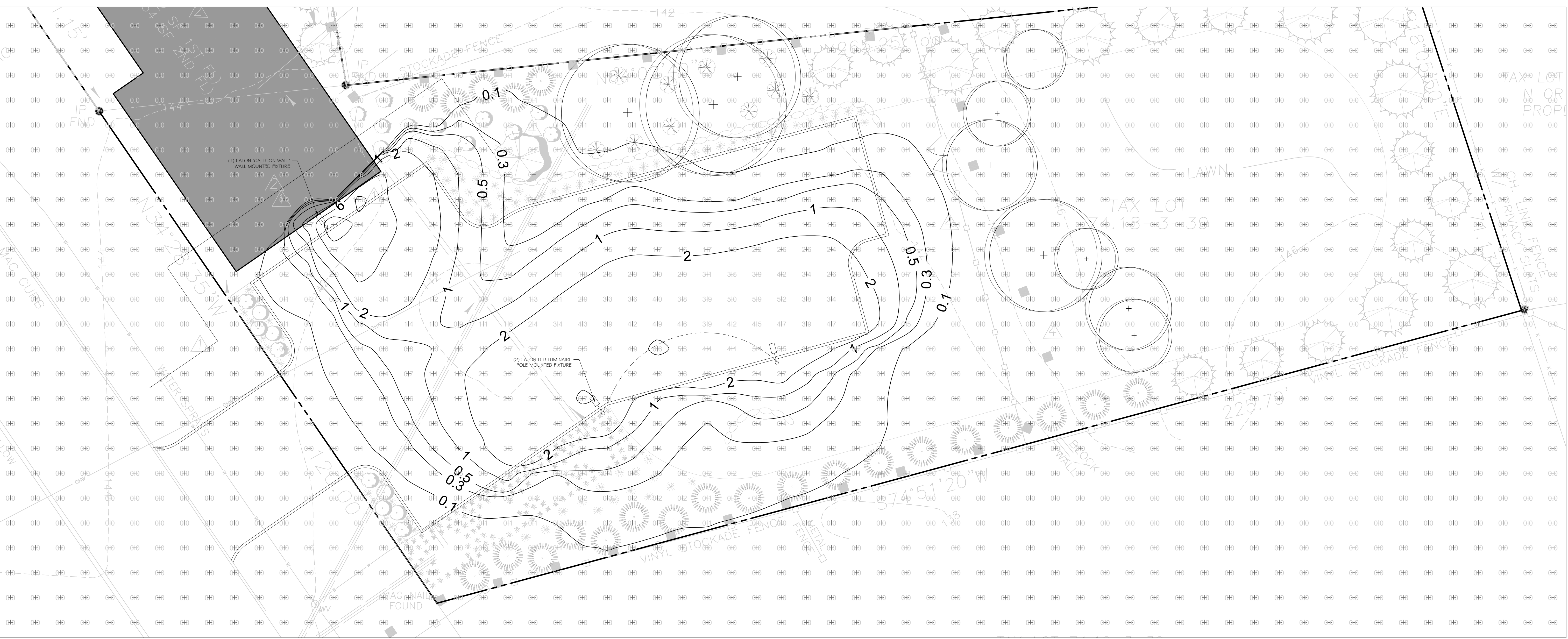


SURVEYOR:

SO ORANGETOWN AMBULANCE CORP.
70 INDEPENDENCE AVENUE
TAPPAN, NEW YORK 10983



SPECIFICATION FEATURES

Construction
Extruded aluminum driver enclosure thermally isolated from Light Squares for optimal thermal performance. Heavy-wall, die-cast aluminum end caps enclose housing and die-cast aluminum heat sinks. A unique, patent pending interlocking housing and heat sink provides scalability with superior structural rigidity. 3G vibration tested and rated. Optional tool-less hardware available for ease of entry into electrical chamber. Housing is IP66 rated.

Optics
Patented, high-efficiency injection-molded AccuLED Optics technology. Optics are precisely designed to shape the distribution maximizing efficiency and application spacing. AccuLED Optics create consistent distributions with the scalability to meet customized application requirements. Offered standard in 4000K (+/- 275K) CCT, 70 CRI. Optional 3000K, 5000K and 6000K CCT.

Electrical
LED drivers are mounted to removable tray assembly for ease of maintenance. 120-277V 50/60Hz, 347V 60Hz or 480V 60Hz operation. 480V is compatible for use with 480V Wye systems only. Standard with 0-10V dimming. Shipped standard with Eaton proprietary circuit module designed to withstand 10kV of transient line surge. The Galleon LED luminaire is suitable for operation in -40°C to 40°C ambient environments. For applications with ambient temperatures exceeding 40°C, specify the HA (High Ambient) option. Light Squares are IP66 rated. Greater than 90% lumen maintenance expected at 60,000 hours. Available in standard 1A drive current and optional 600mA, 800mA and 1200mA drive currents (nominal).

Mounting
STANDARD ARM MOUNT: Extruded aluminum arm includes internal both guides allowing for easy positioning of fixture during mounting. When mounting two or more luminaires at 90° and 120° apart, the EA extended arm may be required. Refer to the arm mounting requirement table.

Finish
Housing finished in super durable TGIC polyester powder coat paint, 2.5 mil nominal thickness for superior protection against fade and wear. Heat sink is powder coated black. Standard housing colors include black, bronze, grey, white, dark platinum and graphite metallic. RAL and custom color matches available.

Warranty
Five-year warranty.



DIMENSIONS

Number of Light Squares	1" Standard Arm Length	18" Optional Arm Length	Weight with Arm (lbs.)	EMA with Arm (Sq. Ft.)
1-4	16-1/2" (419mm)	33" (838mm)	33 (15.0 kg)	0.36
5-8	21-5/8" (549mm)	37" (940mm)	44 (20.0 kg)	1.00
7-8	23-5/8" (599mm)	37" (940mm)	54 (24.5 kg)	1.07
9-10	33-3/4" (857mm)	37" (940mm)	63 (28.6 kg)	1.12

DRILLING PATTERN

TYPE "N" 3/4" (19mm) Diameter Hole
1/2" (12.7mm) Diameter Hole
1/4" (6.35mm) Diameter Hole

ENERGY DATA
Electronic LED Driver
• 0.9 Power Factor
• <20% Total Harmonic Distortion
120-277V 50/60Hz
347V & 480V 60Hz
• 40°C Min. Temperature
80°C Max. Temperature
90°C Max. Temperature (HA Option)

SHIPPING DATA
Approximate Net Weight:
27 lbs. (12.2 kgs.)

1 GLEON GALLEON LED: 1.0' HEIGHT
NOT TO SCALE

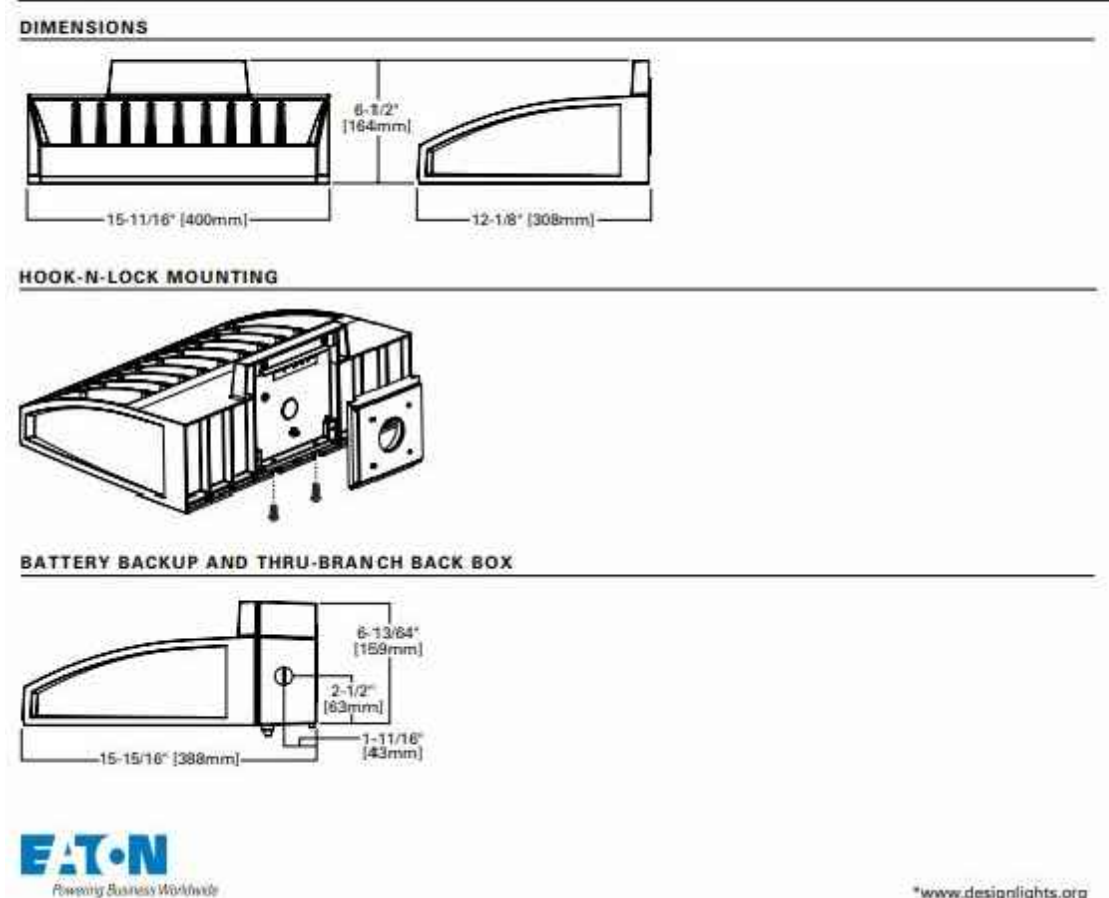
SPECIFICATION FEATURES

Construction
Driver enclosure thermally isolated from optics for optimal thermal performance. Heavy wall aluminum housing die-cast with integral external heat sinks to provide superior structural rigidity and an IP66 rated housing. Overall construction passes a 1.5G vibration test to ensure mechanical integrity. UPLIGHTING: Specify with the UPL option for inverted mount upright housing with additional protections to maintain IP rating.

Optics
Choice of thirteen patented, high-efficiency AccuLED Optics. The optics are precisely designed to shape the distribution maximizing efficiency and application spacing. AccuLED Optics create consistent distributions with the scalability to meet customized application requirements. Offered standard in 4000K (+/- 275K) CCT and minimum 70 CRI. Optional 3000K, 5000K and 6000K CCT. Greater than 90% lumen maintenance expected at 60,000 hours. Available in standard 1A drive current and 600mA drive currents.

Electrical
LED drivers are mounted for ease of maintenance. 120-277V 50/60Hz, 347V or 480V 60Hz operation. 480V is compatible for use with 480V Wye systems only. Drivers are provided standard with 0-10V dimming. An optional Eaton proprietary surge protection module is available and designed to withstand 10kV of transient line surge. The Galleon Wall LED luminaire is suitable for operation in -40°C to 40°C ambient environments. For applications with ambient temperatures exceeding 40°C, specify the HA (High Ambient) option. Emergency egress options for -20°C ambient environments and occupancy sensor available.

Warranty
Five-year warranty.



2 GWC GALLEON WALL
NOT TO SCALE

Steel Poles

Catalog #	Type
Project	Date
Comments	
Prepared by	

FEATURES

- ASTM Grade steel base plate with ASTM A366 base cover
- Hand hole assembly 3" x 8" on 5" and 6" pole; and 2" x 4" on 4" pole
- 10'-30' mounting heights
- Drilled or tenon (specify)

DESIGN CONSIDERATIONS

Wind induced vibrations resulting from steady, unidirectional winds and other aerodynamic forces, as well as vibration and coefficient of height factors for non-grounded mounted installations, e.g., installations on bridges or buildings are not included in this document. The information contained herein is for general guidance only and is not a replacement for professional judgment. Consult with a professional, and local and federal standards, before ordering to ensure product is appropriate for the intended purpose and installation location. Also, please review Eaton's Light Pole White Paper for risk factors and design considerations. [Learn More](#)

Specifications and dimensions subject to change without notice. Consult your lighting representative at Eaton or visit www.eaton.com/lighting for available options, accessories and ordering information.

LIGHTING NOTES

1. PROVIDE SWITCHING, TRANSFORMER LAYOUT AND WIRE SIZE FOR REVIEW BY LANDSCAPE ARCHITECT.
2. SIZE LOW VOLTAGE WIRE BASED ON A MAX. ALLOWABLE VOLTAGE DROP BY 50%
3. TRANSFORMERS SIZED TO MAXIMUM CAPACITY OF LIGHT FIXTURE.
4. DESIGN LOAD IS NOT TO EXCEED 80% OF TRANSFORMER CAPACITY.
5. THE WORK IS TO COMPLY WITH ALL APPLICABLE CODES AND STANDARDS AND MEET ALL TESTING REQUIREMENTS.
6. FIXTURE LOCATIONS AND WIRE LAYOUTS ARE DIAGRAMMATIC AND APPROXIMATE; BEFORE INSTALLATION, REVIEW ADJACENT CONTROLLERS IN AN ORDERLY FASHION TO ALLOW ACCESS AS NECESSARY.
7. REFER TO THE PLAN FOR LIGHT FIXTURE LOCATION. UTILIZE CONDUIT (E) TIRE TO THE (E) SWITCHING WHERE POSSIBLE.
8. BALANCE LOADS TO THE TRANSFORMERS, IDENTIFY CENTER OF LOAD, CONNECT WIRE FROM TRANSFORMER TO CENTER OF LOAD.
9. PROVIDE 120 VOLT POWER TO EACH REMOTE TRANSFORMER CONNECT TO SWITCH IN HOUSE PER DIRECTION AND ACCEPTANCE OF CLIENT.
10. INSTALL FIXTURES PER MANUFACTURERS INSTRUCTIONS.

1 STEEL POST
NOT TO SCALE

LIGHTING SCHEDULE

SYMBOL	DETAIL	QTY	DESCRIPTION	CATALOG NUMBER	MOUNTING HEIGHT	LAMP	LUMENS
○	1/A-GO1	2	EATON 'GALLEON LED' LED LUMINAIRE POLE MOUNTED FIXTURE TYPE T4W DISTRIBUTION	GLEON-AF-01-LED-EJ-T4W	10'	LED ARRAY	1,04,045+
□	2/A-GO1	1	EATON 'GALLEON WALL' LED LUMINAIRE WALL MOUNTED FIXTURE TYPE T4W DISTRIBUTION	GWC-AF-01-LED-EJ-T4W	10'	LED ARRAY	1,04,045+



TO SCALE WHEN PLOTTED ON 24x36
PROGRESS SET NOT FOR CONSTRUCTION

DATE: FEBRUARY 19, 2019
DRAWN BY: JUS
JOB NO: 2018_1217
SCALE: 1"=10'-0"
FILENAME: 2024_0301_LANDSCAPE PLAN_SOAC

REVISIONS:
08/14/2023

Bythe M Yost ASLA | Registered Landscape Architect

LIGHTING PLAN

SHEET NO.

L-601