

1A LIGHTING PLAN @ 1ST FLOOR PLAN Scale: 1/4"=1'-0"

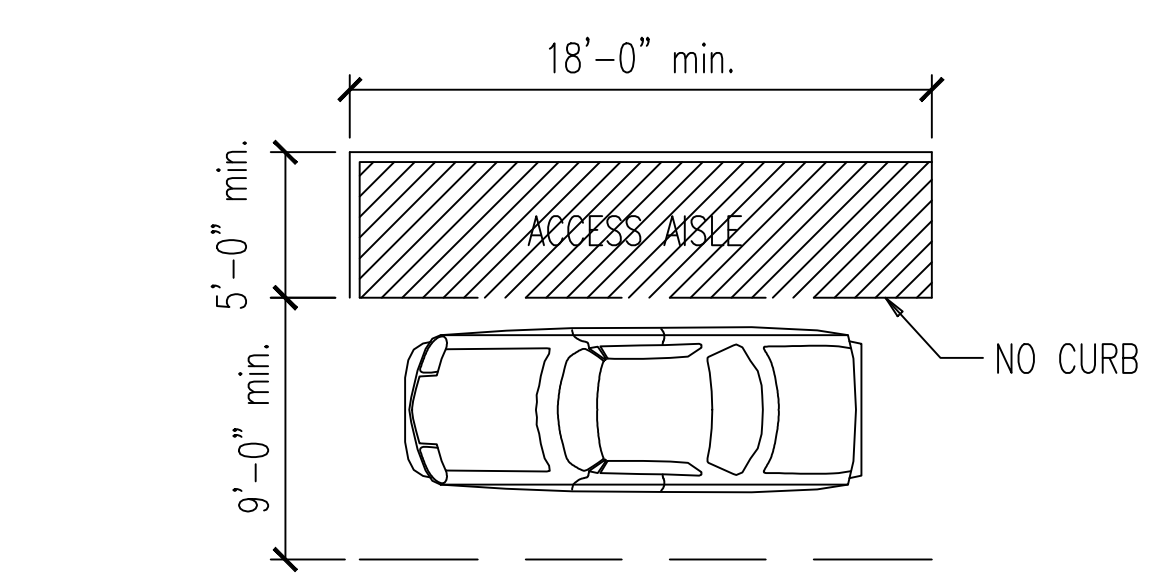
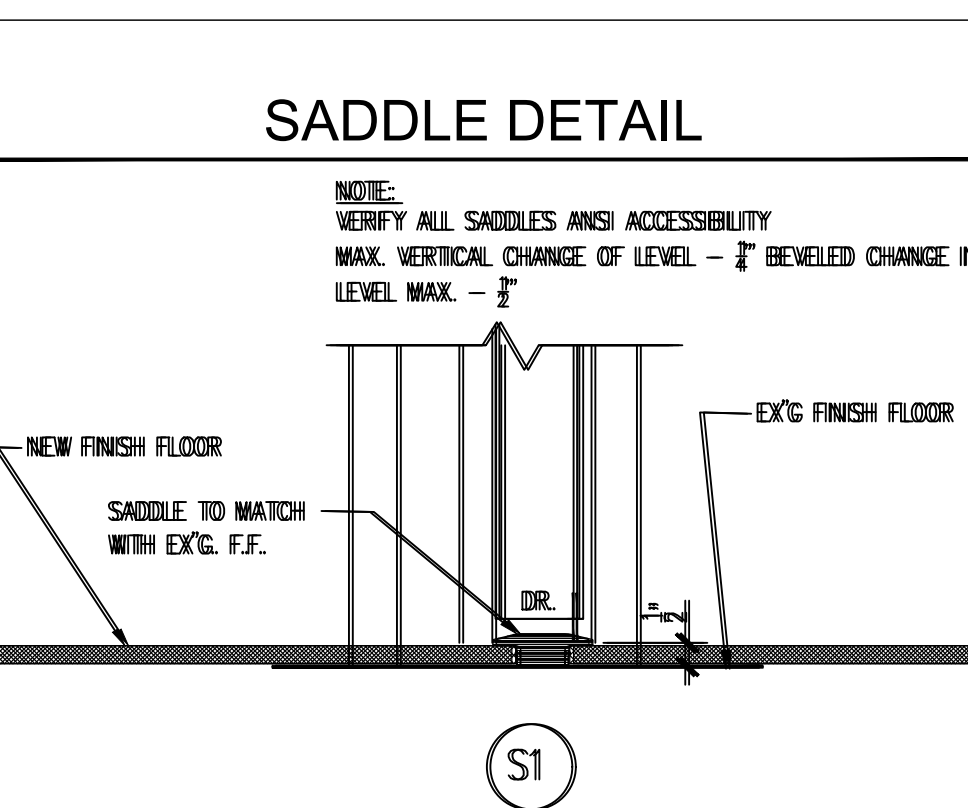


Fig. 10 - Access Aisle at Passenger Loading Zone

LEGEND

	ELEVATION NUMBER
	DRAWING NUMBER
	DETAIL OR SECTION NUMBER
	DRAWING NUMBER
	CONCRETE
	WALL TO BE REMOVED
	DOOR TO BE REMOVED
	NEW DOOR
	EXISTING WALL TO REMAIN
	NEW WALL
	NEW ROOF



JOB NO:	222-136
DATE:	08/04/22
SCALE:	AS NOTED
DRN. BY:	EAA
ISSUED:	08-15-22 FOR REVIEW BY OWNER 08-15-22 REVISED AS PER COMMENTS 08-17-22 REVISED AS PER COMMENTS 08-17-22 REVISED AS PER COMMENTS

Jenny R. Zuniga-Casal  
ARCHITECT  
Jenny R. Zuniga-Casal Architecture LLC  
77 Sierra Vista Lane, Valley Cottage, NY, 10989  
Tel: 845.598.1613 Fax: 845.512.8290  
Email: jzuniga000@msn.com



PROPOSE NEW STRUCTURE  
**COMMERCIAL SPACE**  
39 WILLIAMS RD  
PEARL RIVER, NY 10965

DRAWING NO.:  
**A-2**