

CONCRETE BLOCK WALL
INSTALL AND PREPARE AS IT IS
SPECIFIED-SEE ARCHITECTURAL
DRAWINGS.



6 REAR ELEVATION

Scale: 1/4"=1'-0"

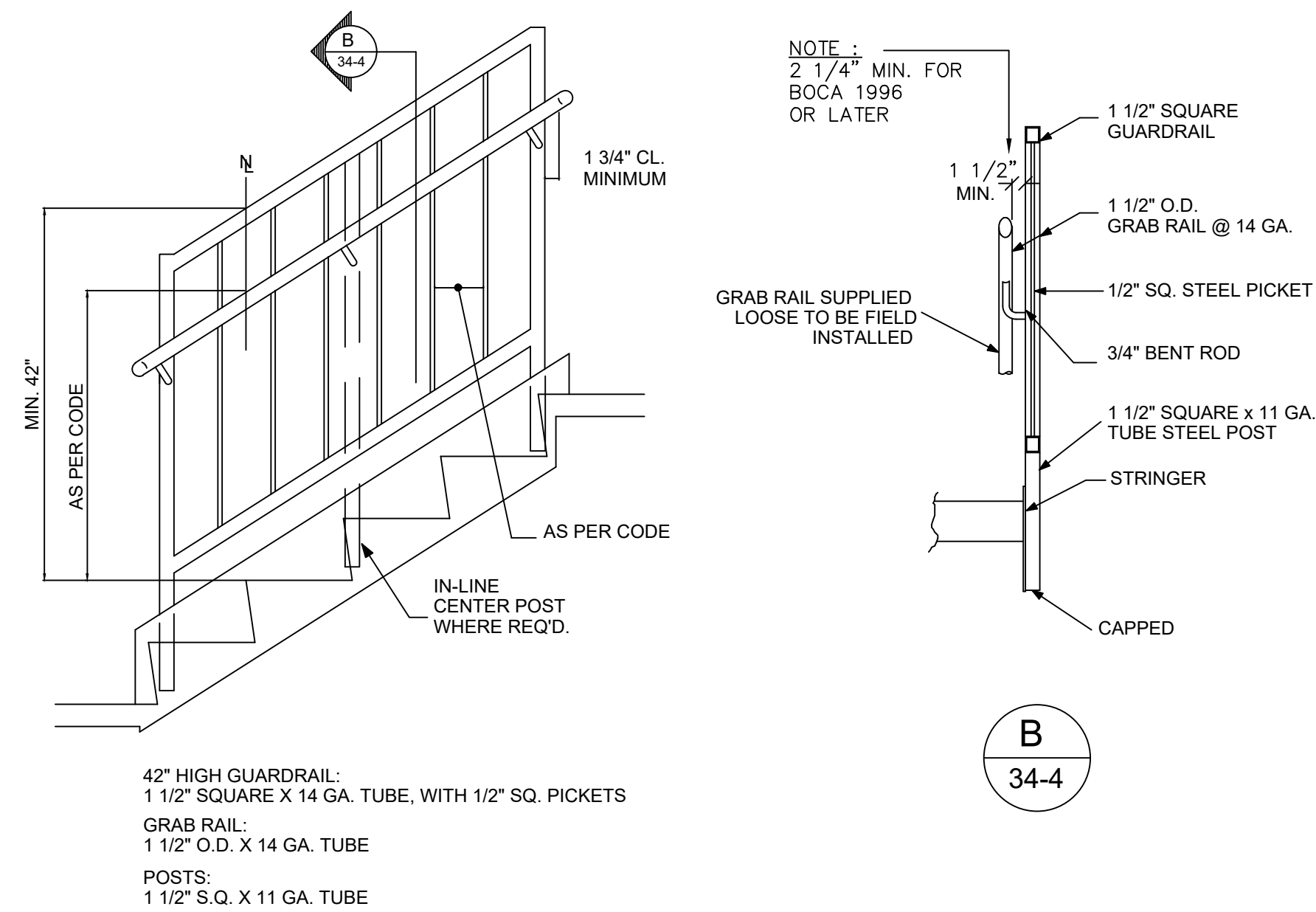
BRICK VENER
STONE SLATE



5 FRONT ELEVATION@ WILLIAMS ST.

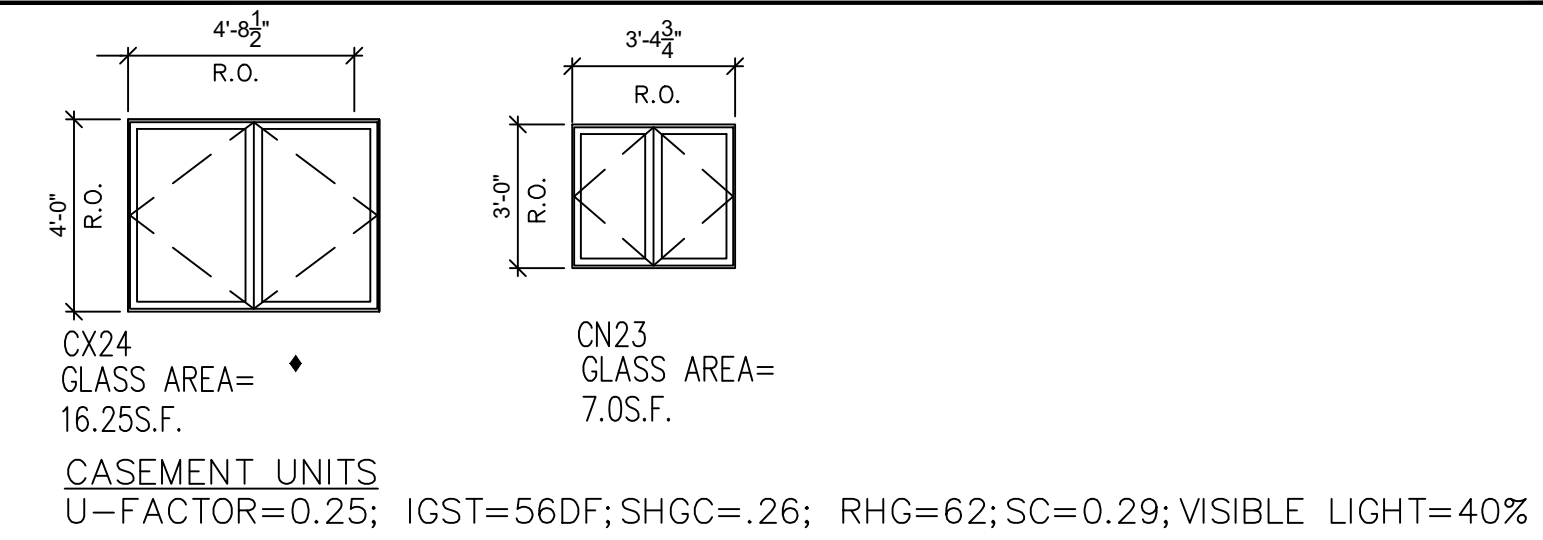
Scale: 1/4"=1'-0"

TYPICAL STAIR DETAIL

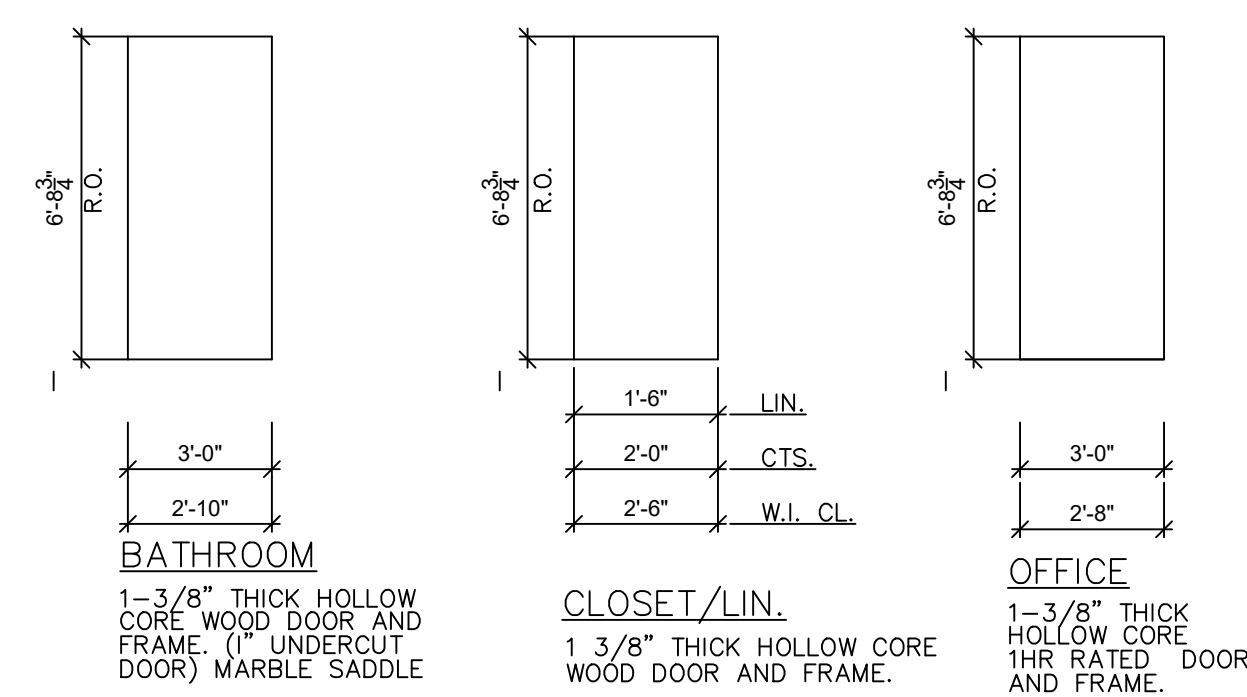


B
34-4

WINDOW SCHEDULE



DOOR SCHEDULE



JOB NO: 222-136
DATE 06/04/22
SCALE AS NOTED
DRN. BY: EAA

ISSUED:
06-15-22 FOR REVIEW BY OWNER
07-25-22 REVISED AS PER COMMENTS
08-17-23 REVISED AS PER PER COMMENTS

Jenny R. Zuniga-Casal
ARCHITECT

Jenny R. Zuniga-Casal Architecture LLC
77 Sierra Vista Lane, Valley Cottage, NY, 10989
Tel: 845.598.1613 Fax: 845.512.8290
Email: jzuniga000@msn.com



PROPOSE NEW STRUCTURE

COMMERCIAL SPACE
39 WILLIAMS RD
PEARL RIVER, NY 10965

DRAWING NO.:
A-5