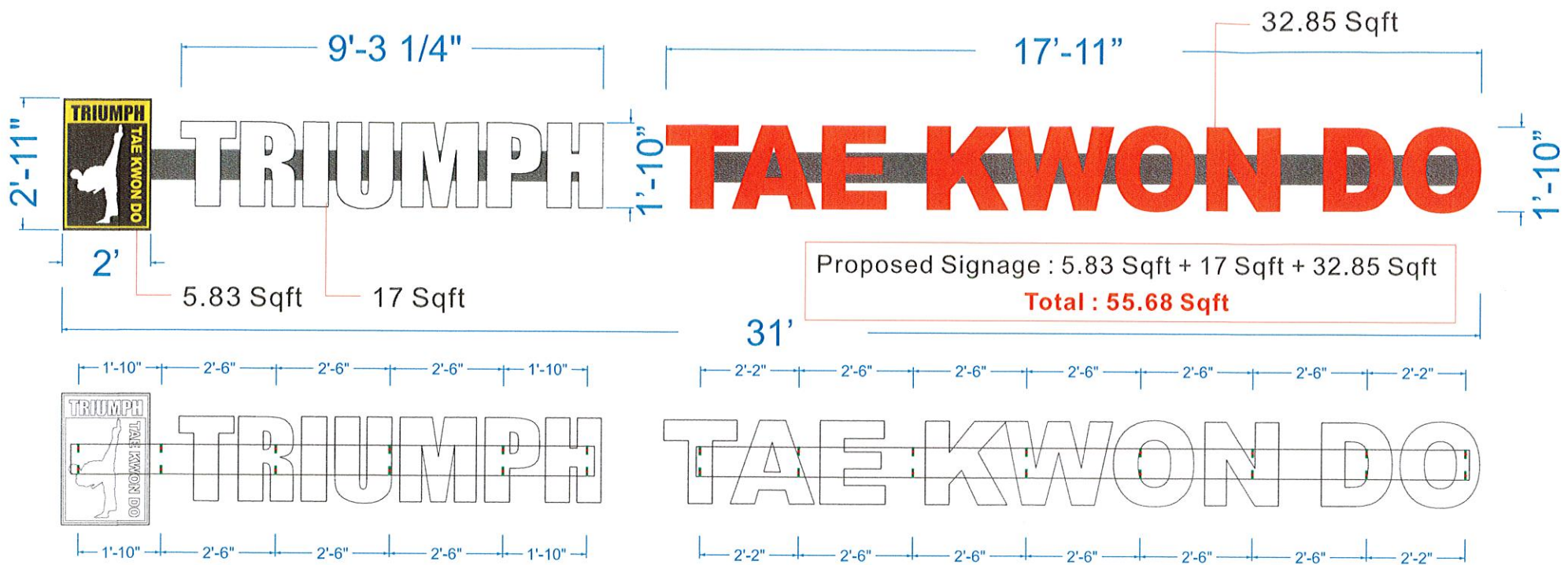
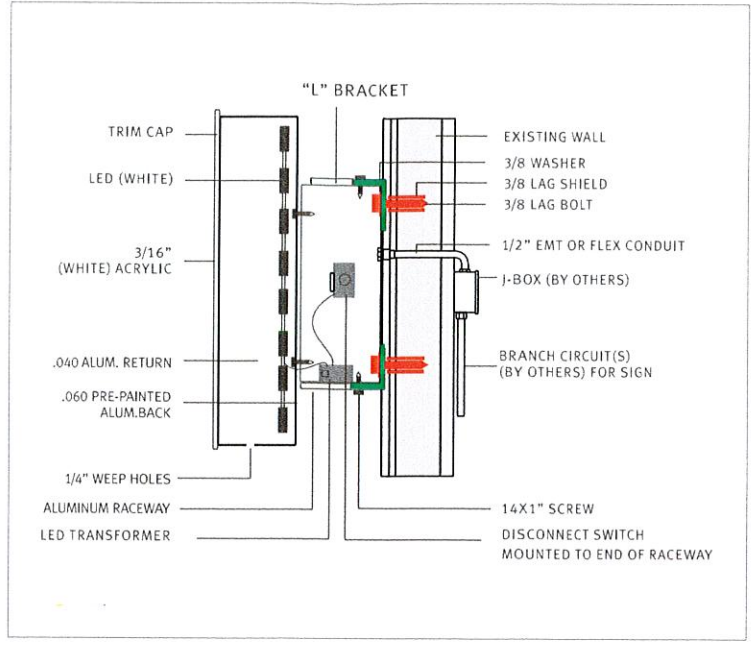


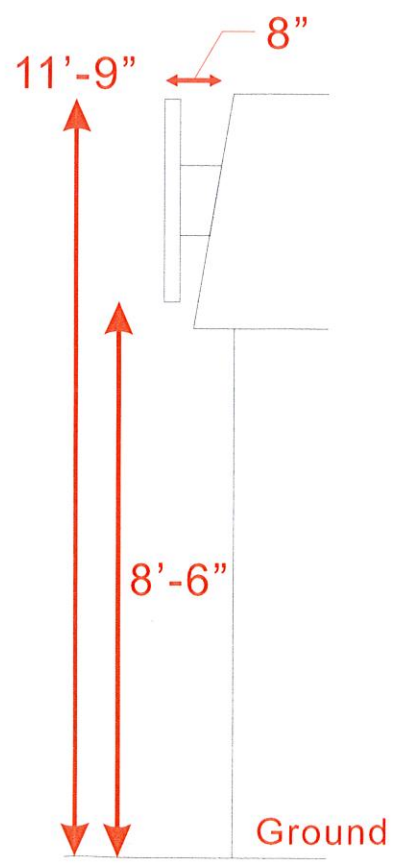
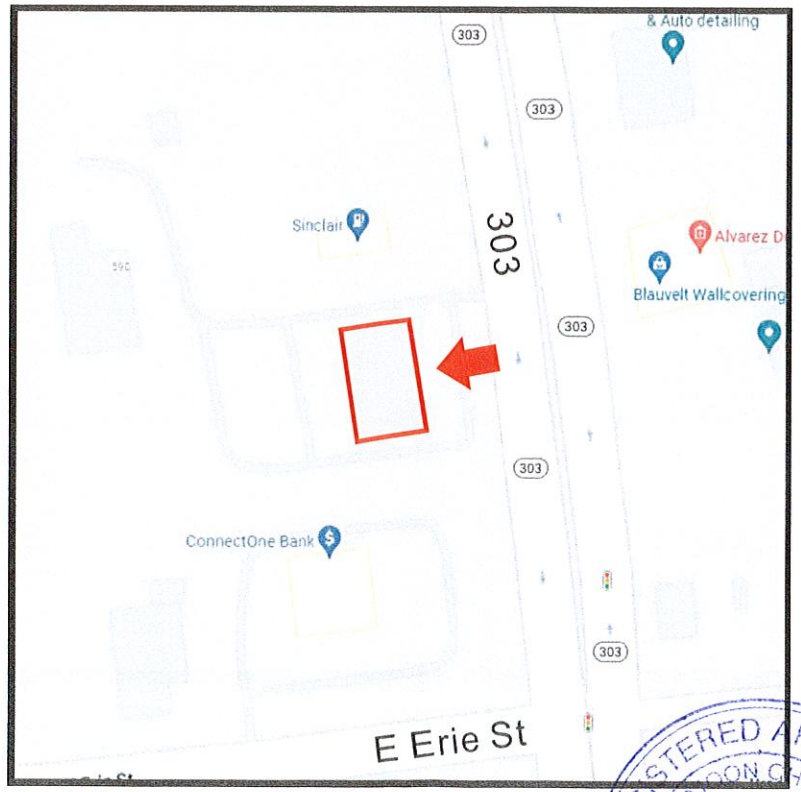
■ Front-Lit LED Channel Letters with raceway



■ Install Detail



■ Site Map



NOTE
 WIND LOAD: ALL SIGNS ARE TO BE DESIGNED TO RESIST 110 MPH PRESSURES CAUSED BY WIND IN ANY DIRECTION
 SNOW LOAD: ALL SIGNS ARE TO BE DESIGNED TO WITHSTAND 35LB/SF SNOW LOAD



SCALE: NOT TO SCALE

PAGE NUMBER

1 of 1

DESCRIPTION

1. Front Lit LED Channel Letters With Raceway
2. Illuminated Outdoor Pole Sign

PROJECT NAME

TRIUMPH TAE KWON DO

588 NY-303
 Blauvelt,
 NY 10913

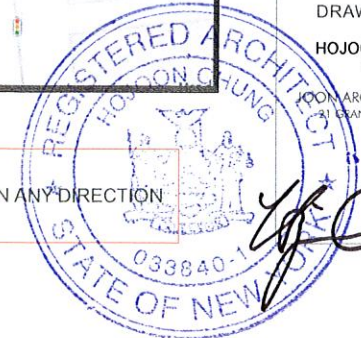
REV. DATE

08/22/23

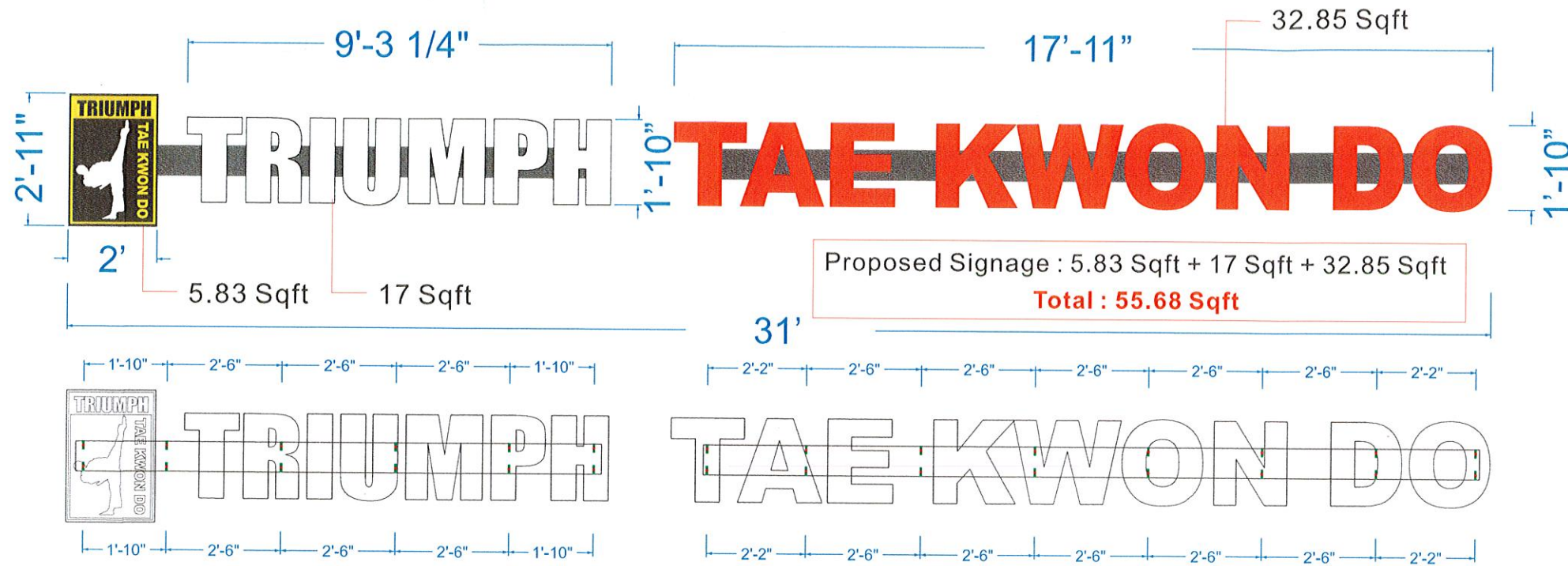
DRAWN BY

HOJOON CHUNG, RA, LEED AP
 NY LIC.# 033840-1

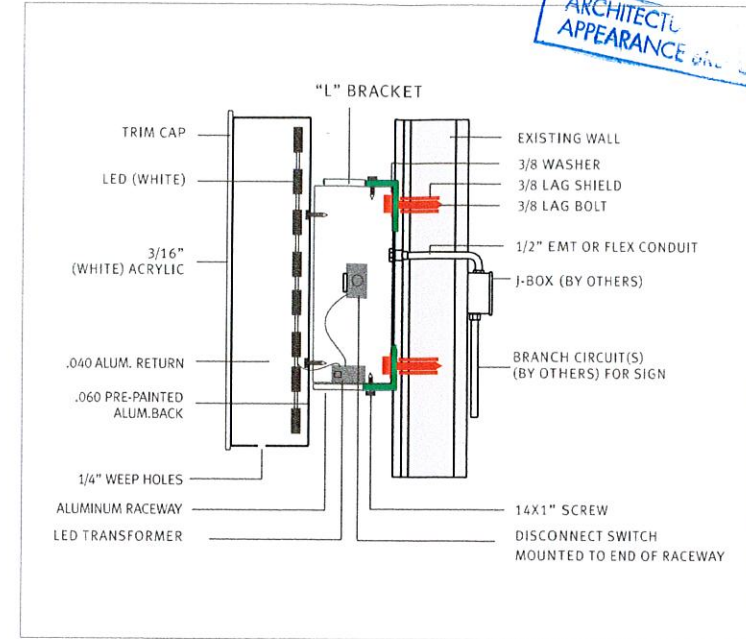
HOJOON CHUNG ARCHITECTURE AND DESIGN, LLC
 31 GRAND AVE. PALISADES PARK, NJ 07650
 TEL: 210-496-6242



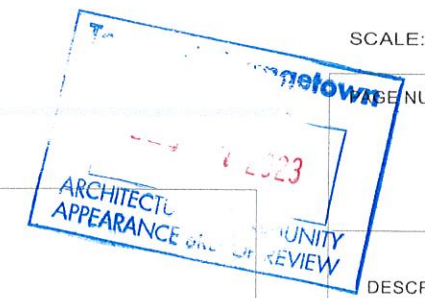
■ Front-Lit LED Channel Letters with raceway



■ Install Detail



SCALE: NOT TO SCALE



1 of 1

DESCRIPTION

1. Front Lit LED Channel Letters With Raceway
2. Illuminated Outdoor Pole Sign

PROJECT NAME

TRIUMPH
TAE KWON DO

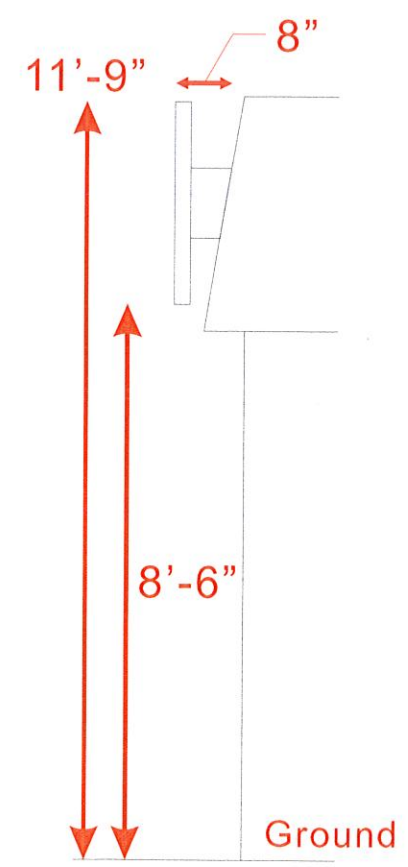
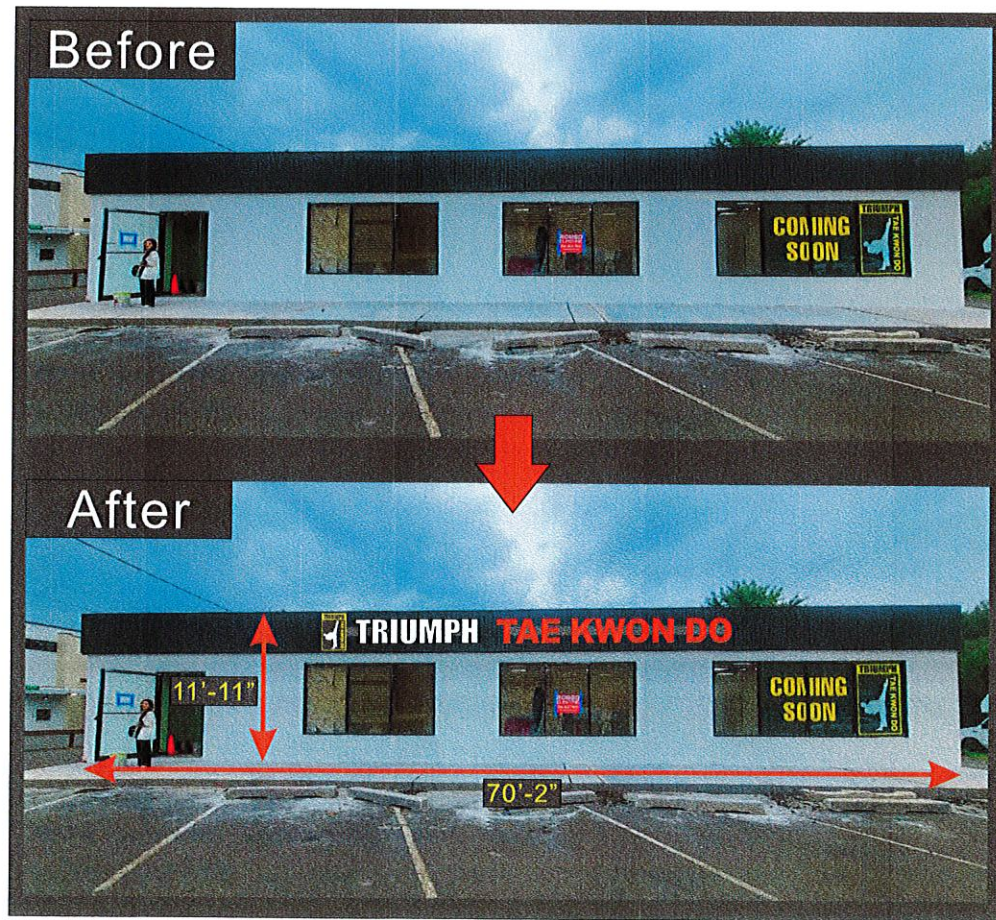
588 NY-303
Blauvelt,
NY 10913

REV. DATE

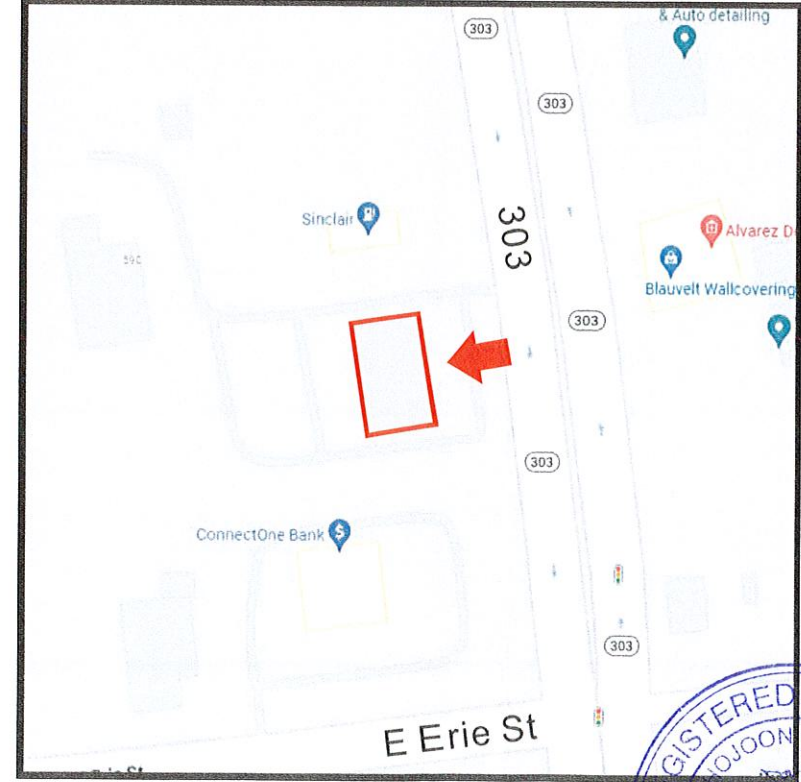
08/22/23

DRAWN BY

HOJOON CHUNG, RA, LEED AP
NY LIC.# 033840-1
JOON ARCHITECTURE AND DESIGN, LLC
21 GRAND AVE. PALISADES PARK, NJ 07650
TEL: 210.496.6242



■ Site Map



NOTE
WIND LOAD: ALL SIGNS ARE TO BE DESIGNED TO RESIST 110 MPH PRESSURES CAUSED BY WIND IN ANY DIRECTION
SNOW LOAD: ALL SIGNS ARE TO BE DESIGNED TO WITHSTAND 35LB/SF SNOW LOAD