

Name of Municipality: TOWN OF ORANGETOWN Date Submitted: _____

2021 LAND USE BOARD APPLICATION

Please check all that apply:

| | |
|---|---|
| <input type="checkbox"/> Commercial <input type="checkbox"/> Planning Board <input checked="" type="checkbox"/> Zoning Board of Appeals <input type="checkbox"/> Subdivision <input type="checkbox"/> Number of Lots <input type="checkbox"/> Site Plan <input type="checkbox"/> Conditional Use <input type="checkbox"/> Special Permit <input type="checkbox"/> Variance <input type="checkbox"/> Performance Standards Review <input type="checkbox"/> Use Variance <input type="checkbox"/> Other (specify): _____ | <input checked="" type="checkbox"/> Residential <input type="checkbox"/> Historical Board <input type="checkbox"/> Architectural Board <input type="checkbox"/> Consultation <input type="checkbox"/> Pre-Preliminary/Sketch <input type="checkbox"/> Preliminary <input type="checkbox"/> Final <input type="checkbox"/> Interpretation |
|---|---|

PERMIT#: 52028
ASSIGNED _____
INSPECTOR: Mike
 Referred from Planning Board: YES / NO
 If yes provide date of Planning Board meeting: _____

Project Name: Gorman

Street Address: 91 Sickletown Rd
Orangeburg, NY

Tax Map Designation:
Section: 69.15 Block: 1 Lot(s): 2
Section: _____ Block: _____ Lot(s): _____

Directional Location:
On the west side of Sickletown Rd, approximately 528 feet NE of the intersection of Briarwood Lane, in the Town of ORANGETOWN in the hamlet/village of Orangeburg.

| | |
|---|--|
| Acreage of Parcel <u>1.15</u> School District <u>Pearl River</u> Ambulance District <u>Orangetown</u> Water District _____ | Zoning District <u>R-40</u> Postal District _____ Fire District <u>Orangeburg</u> Sewer District <u>RC #1</u> |
|---|--|

Project Description: *(If additional space required, please attach a narrative summary.)*
Renovation of pool, spa and patios. Installation of outdoor shower, golf simulator, sports court and pergola with outdoor kitchen and fireplace.

The undersigned agrees to an extension of the statutory time limit for scheduling a public hearing.

Date: _____ Applicant's Signature: _____

APPLICATION REVIEW FORM

FILL IN WHERE APPLICABLE.

(IF THE FOLLOWING DOES NOT APPLY PLEASE MOVE ON TO THE NEXT PAGE)

If subdivision:

- 1) Is any variance from the subdivision regulations required? _____
- 2) Is any open space being offered? ____ If so, what amount? _____
- 3) Is this a standard or average density subdivision? _____

If site plan:

- 1) Existing square footage _____
- 2) Total square footage _____
- 3) Number of dwelling units _____

If **special permit**, list special permit use and what the property will be used for.

Environmental Constraints:

Are there **slopes greater than 25%**? If yes, please indicate the amount and show the gross and net area No

Are there **streams** on the site? If yes, please provide the names. _____

Are there **wetlands** on the site? If yes, please provide the names and type:

No

Project History:

Has this project ever been reviewed before? No

If so, provide a narrative, including the list case number, name, date, and the board(s) you appeared before, and the status of any previous approvals.

N/A

List tax map section, block & lot numbers for all other abutting properties in the same ownership as this project.

N/A



OFFICE OF BUILDING, ZONING, PLANNING,
ADMINISTRATION AND ENFORCEMENT
TOWN OF ORANGETOWN

20 Greenbush Road
Orangeburg, N.Y. 10962

Jane Slavin, R.A.
Director

(845)359-8410

Fax: (845) 359-8526

DENIAL TO THE ZONING BOARD OF APPEALS

Date: January 18, 2022

Applicant: Gorman

Address: 91 Sickletown Rd, Orangeburg

RE: Application Made at: same

PLAN REVISED 1.6.22

Chapter 43, Section 5.227 Required Side Yard (R-40 District) 30' with 27.4' for Golf Simulator and 18.2' for Pergola.

2 Variances required

Section: 69.15

Block: 1

Lot: 2

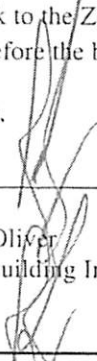
Dear Gorman:

Please be advised that the Building Permit Application, which you submitted on October 5, 2021, has been denied. I have enclosed a Xerox copy of your application, where you will find at the bottom the reason for denial.

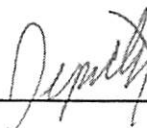
In Accordance with Zoning, Chapter 43 Section 10.322 the time to appeal a determination of a Building Inspector or Similar administrative office is thirty (30) days from the filing of such a determination with the Town Clerk.

The Clerk to the Zoning Board of Appeals, Debbie Arbolino, will assist you in the preparation necessary to appear before the board.

Sincerely,


Richard Oliver
Deputy Building Inspector

1.18.22


1/18/22



Signature of Director

NOTE: PLEASE KEEP FOR YOUR RECORDS
12-31-18-CCC

Date

CC: Rosanna Sfraga
Liz Decort
Debbie Arbolino

392489,69.15-1-1,Philip Galdi,5 Briarwood Ln,Orangeburg, NY 10962
392489,69.15-1-2,Thomas Gorman,91 Sickletown Rd,Orangeburg, NY 10962
392489,69.15-1-3,Zhong Wei Zhang,6 Briarwood Ln,Orangeburg, NY 10962
392489,69.15-1-4,Shay Furlong,7 Briarwood Ln,Orangeburg, NY 10962
392489,69.15-1-5,David Gallet,8 Briarwood Ln,Orangeburg, NY 10962
392489,69.15-1-6,Etem Haxhaj,4 Briarwood Ln,Orangeburg, NY 10962
392489,69.15-1-7,James Cruz,3 Briarwood Ln,Orangeburg, NY 10962
392489,69.15-1-8,Jason Goldman,2 Briarwood Ln,Orangeburg, NY 10962
392489,69.15-1-9,Jatin Joshi,1 Briarwood Ln,Orangeburg, NY 10962
392489,69.15-2-1,Nauraushaun Cemetery,100 Sickletown Rd,Orangeburg, NY 10962

**Full Environmental Assessment Form
Part 1 - Project and Setting**

Instructions for Completing Part 1

Part 1 is to be completed by the applicant or project sponsor. Responses become part of the application for approval or funding, are subject to public review, and may be subject to further verification.

Complete Part 1 based on information currently available. If additional research or investigation would be needed to fully respond to any item, please answer as thoroughly as possible based on current information; indicate whether missing information does not exist, or is not reasonably available to the sponsor; and, when possible, generally describe work or studies which would be necessary to update or fully develop that information.

Applicants/sponsors must complete all items in Sections A & B. In Sections C, D & E, most items contain an initial question that must be answered either "Yes" or "No". If the answer to the initial question is "Yes", complete the sub-questions that follow. If the answer to the initial question is "No", proceed to the next question. Section F allows the project sponsor to identify and attach any additional information. Section G requires the name and signature of the applicant or project sponsor to verify that the information contained in Part 1 is accurate and complete.

A. Project and Applicant/Sponsor Information.

| | | |
|---|-----------|-------------------------------------|
| Name of Action or Project: Gorman | | |
| Project Location (describe, and attach a general location map): 91 Sickletown Road, Orangeburg, NY | | |
| Brief Description of Proposed Action (include purpose or need): The renovation of an existing pool, spa & patio along with the installation of an outdoor shower, golf simulator, sports court and pergola with outdoor kitchen and fireplace. | | |
| Name of Applicant/Sponsor: Thomas Gorman | | Telephone: 917-239-3721 |
| | | E-Mail: |
| Address: 91 Sickletown Rd | | |
| City/PO: Orangeburg | State: NY | Zip Code: 10962 |
| Project Contact (if not same as sponsor; give name and title/role): Steve Griggs | | Telephone: 914-879-5602 |
| | | E-Mail: steve@stevegriggsdesign.com |
| Address: 76 Spruce St. | | |
| City/PO: Blauvelt | State: NY | Zip Code: 10913 |
| Property Owner (if not same as sponsor): | | Telephone: |
| | | E-Mail: |
| Address: | | |
| City/PO: | State: | Zip Code: |

B. Government Approvals

| B. Government Approvals, Funding, or Sponsorship. ("Funding" includes grants, loans, tax relief, and any other forms of financial assistance.) | | |
|---|---|---|
| Government Entity | If Yes: Identify Agency and Approval(s) Required | Application Date (Actual or projected) |
| a. City Council, Town Board, <input type="checkbox"/> Yes <input checked="" type="checkbox"/> No or Village Board of Trustees | | |
| b. City, Town or Village <input type="checkbox"/> Yes <input checked="" type="checkbox"/> No Planning Board or Commission | | |
| c. City, Town or <input checked="" type="checkbox"/> Yes <input type="checkbox"/> No Village Zoning Board of Appeals | Zoning Board of Appeals | |
| d. Other local agencies <input checked="" type="checkbox"/> Yes <input type="checkbox"/> No | Building Permit | |
| e. County agencies <input checked="" type="checkbox"/> Yes <input type="checkbox"/> No | Rockland County Highway permit | |
| f. Regional agencies <input type="checkbox"/> Yes <input checked="" type="checkbox"/> No | | |
| g. State agencies <input type="checkbox"/> Yes <input checked="" type="checkbox"/> No | | |
| h. Federal agencies <input type="checkbox"/> Yes <input checked="" type="checkbox"/> No | | |
| i. Coastal Resources. | | |
| i. Is the project site within a Coastal Area, or the waterfront area of a Designated Inland Waterway? | | <input type="checkbox"/> Yes <input checked="" type="checkbox"/> No |
| ii. Is the project site located in a community with an approved Local Waterfront Revitalization Program? | | <input type="checkbox"/> Yes <input checked="" type="checkbox"/> No |
| iii. Is the project site within a Coastal Erosion Hazard Area? | | <input type="checkbox"/> Yes <input checked="" type="checkbox"/> No |

C. Planning and Zoning

| | |
|--|--|
| C.1. Planning and zoning actions. | |
| Will administrative or legislative adoption, or amendment of a plan, local law, ordinance, rule or regulation be the only approval(s) which must be granted to enable the proposed action to proceed? <input type="checkbox"/> Yes <input checked="" type="checkbox"/> No | |
| <ul style="list-style-type: none"> • If Yes, complete sections C, F and G. • If No, proceed to question C.2 and complete all remaining sections and questions in Part 1 | |
| C.2. Adopted land use plans. | |
| a. Do any municipally- adopted (city, town, village or county) comprehensive land use plan(s) include the site where the proposed action would be located? <input checked="" type="checkbox"/> Yes <input type="checkbox"/> No | |
| If Yes, does the comprehensive plan include specific recommendations for the site where the proposed action would be located? <input type="checkbox"/> Yes <input checked="" type="checkbox"/> No | |
| b. Is the site of the proposed action within any local or regional special planning district (for example: Greenway; Brownfield Opportunity Area (BOA); designated State or Federal heritage area; watershed management plan; or other?) <input type="checkbox"/> Yes <input checked="" type="checkbox"/> No | |
| If Yes, identify the plan(s): _____ _____ _____ | |
| c. Is the proposed action located wholly or partially within an area listed in an adopted municipal open space plan, or an adopted municipal farmland protection plan? <input type="checkbox"/> Yes <input checked="" type="checkbox"/> No | |
| If Yes, identify the plan(s): _____ _____ _____ | |

C.3. Zoning

a. Is the site of the proposed action located in a municipality with an adopted zoning law or ordinance. Yes No
 If Yes, what is the zoning classification(s) including any applicable overlay district?
R-40 Residential

b. Is the use permitted or allowed by a special or conditional use permit? Yes No

c. Is a zoning change requested as part of the proposed action? Yes No
 If Yes,
 i. What is the proposed new zoning for the site? _____

C.4. Existing community services.

a. In what school district is the project site located? Pearl River

b. What police or other public protection forces serve the project site?
Orangetown Police

c. Which fire protection and emergency medical services serve the project site?
Orangeburg Fire District, Orangetown Ambulance District

d. What parks serve the project site?
Orangetown Parks

D. Project Details

D.1. Proposed and Potential Development

a. What is the general nature of the proposed action (e.g., residential, industrial, commercial, recreational; if mixed, include all components)? Residential

b. a. Total acreage of the site of the proposed action? _____ 1.15 acres
 b. Total acreage to be physically disturbed? _____ .41 acres
 c. Total acreage (project site and any contiguous properties) owned or controlled by the applicant or project sponsor? _____ 1.15 acres

c. Is the proposed action an expansion of an existing project or use? Yes No
 i. If Yes, what is the approximate percentage of the proposed expansion and identify the units (e.g., acres, miles, housing units, square feet)? % _____ Units: _____

d. Is the proposed action a subdivision, or does it include a subdivision? Yes No
 If Yes,
 i. Purpose or type of subdivision? (e.g., residential, industrial, commercial; if mixed, specify types) _____
 ii. Is a cluster/conservation layout proposed? Yes No
 iii. Number of lots proposed? _____
 iv. Minimum and maximum proposed lot sizes? Minimum _____ Maximum _____

e. Will the proposed action be constructed in multiple phases? Yes No
 i. If No, anticipated period of construction: _____ 12 months
 ii. If Yes:
 • Total number of phases anticipated _____
 • Anticipated commencement date of phase 1 (including demolition) _____ month _____ year
 • Anticipated completion date of final phase _____ month _____ year
 • Generally describe connections or relationships among phases, including any contingencies where progress of one phase may determine timing or duration of future phases: _____

f. Does the project include new residential uses? Yes No

If Yes, show numbers of units proposed.

| | <u>One Family</u> | <u>Two Family</u> | <u>Three Family</u> | <u>Multiple Family (four or more)</u> |
|---------------|-------------------|-------------------|---------------------|---------------------------------------|
| Initial Phase | _____ | _____ | _____ | _____ |
| At completion | _____ | _____ | _____ | _____ |
| of all phases | _____ | _____ | _____ | _____ |

g. Does the proposed action include new non-residential construction (including expansions)? Yes No

If Yes,

- i. Total number of structures 2
ii. Dimensions (in feet) of largest proposed structure: 10 height; 25 width; and 30 length
iii. Approximate extent of building space to be heated or cooled: 0 square feet

h. Does the proposed action include construction or other activities that will result in the impoundment of any liquids, such as creation of a water supply, reservoir, pond, lake, waste lagoon or other storage? Yes No

If Yes,

- i. Purpose of the impoundment: _____
ii. If a water impoundment, the principal source of the water: Ground water Surface water streams Other specify: _____
iii. If other than water, identify the type of impounded/contained liquids and their source. _____
iv. Approximate size of the proposed impoundment. Volume: _____ million gallons; surface area: _____ acres
v. Dimensions of the proposed dam or impounding structure: _____ height; _____ length
vi. Construction method/materials for the proposed dam or impounding structure (e.g., earth fill, rock, wood, concrete): _____

D.2. Project Operations

a. Does the proposed action include any excavation, mining, or dredging, during construction, operations, or both? (Not including general site preparation, grading or installation of utilities or foundations where all excavated materials will remain onsite) Yes No

If Yes:

- i. What is the purpose of the excavation or dredging? _____
ii. How much material (including rock, earth, sediments, etc.) is proposed to be removed from the site?
• Volume (specify tons or cubic yards): _____
• Over what duration of time? _____
iii. Describe nature and characteristics of materials to be excavated or dredged, and plans to use, manage or dispose of them. _____
iv. Will there be onsite dewatering or processing of excavated materials? Yes No
If yes, describe. _____
v. What is the total area to be dredged or excavated? _____ acres
vi. What is the maximum area to be worked at any one time? _____ acres
vii. What would be the maximum depth of excavation or dredging? _____ feet
viii. Will the excavation require blasting? Yes No
ix. Summarize site reclamation goals and plan: _____

b. Would the proposed action cause or result in alteration of, increase or decrease in size of, or encroachment into any existing wetland, waterbody, shoreline, beach or adjacent area? Yes No

If Yes:

- i. Identify the wetland or waterbody which would be affected (by name, water index number, wetland map number or geographic description): _____

ii. Describe how the proposed action would affect that waterbody or wetland, e.g. excavation, fill, placement of structures, or alteration of channels, banks and shorelines. Indicate extent of activities, alterations and additions in square feet or acres:

iii. Will the proposed action cause or result in disturbance to bottom sediments? Yes No
If Yes, describe: _____

iv. Will the proposed action cause or result in the destruction or removal of aquatic vegetation? Yes No
If Yes:

- acres of aquatic vegetation proposed to be removed: _____
- expected acreage of aquatic vegetation remaining after project completion: _____
- purpose of proposed removal (e.g. beach clearing, invasive species control, boat access): _____
- proposed method of plant removal: _____
- if chemical/herbicide treatment will be used, specify product(s): _____

v. Describe any proposed reclamation/mitigation following disturbance: _____

c. Will the proposed action use, or create a new demand for water? Yes No
If Yes:

i. Total anticipated water usage/demand per day: _____ 25 gallons/day

ii. Will the proposed action obtain water from an existing public water supply? Yes No
If Yes:

- Name of district or service area: Suez
- Does the existing public water supply have capacity to serve the proposal? Yes No
- Is the project site in the existing district? Yes No
- Is expansion of the district needed? Yes No
- Do existing lines serve the project site? Yes No

iii. Will line extension within an existing district be necessary to supply the project? Yes No
If Yes:

- Describe extensions or capacity expansions proposed to serve this project: _____
- Source(s) of supply for the district: _____

iv. Is a new water supply district or service area proposed to be formed to serve the project site? Yes No
If, Yes:

- Applicant/sponsor for new district: _____
- Date application submitted or anticipated: _____
- Proposed source(s) of supply for new district: _____

v. If a public water supply will not be used, describe plans to provide water supply for the project: _____

vi. If water supply will be from wells (public or private), what is the maximum pumping capacity: _____ gallons/minute.

d. Will the proposed action generate liquid wastes? Yes No
If Yes:

i. Total anticipated liquid waste generation per day: _____ 25 gallons/day

ii. Nature of liquid wastes to be generated (e.g., sanitary wastewater, industrial; if combination, describe all components and approximate volumes or proportions of each): _____

Sanitary Sewer

iii. Will the proposed action use any existing public wastewater treatment facilities? Yes No
If Yes:

- Name of wastewater treatment plant to be used: Rockland County Sewer District #1
- Name of district: Orangetown
- Does the existing wastewater treatment plant have capacity to serve the project? Yes No
- Is the project site in the existing district? Yes No
- Is expansion of the district needed? Yes No

- Do existing sewer lines serve the project site? Yes No
- Will a line extension within an existing district be necessary to serve the project? Yes No

If Yes:

- Describe extensions or capacity expansions proposed to serve this project: _____

iv. Will a new wastewater (sewage) treatment district be formed to serve the project site? Yes No

If Yes:

- Applicant/sponsor for new district: _____
- Date application submitted or anticipated: _____
- What is the receiving water for the wastewater discharge? _____

v. If public facilities will not be used, describe plans to provide wastewater treatment for the project, including specifying proposed receiving water (name and classification if surface discharge or describe subsurface disposal plans):

vi. Describe any plans or designs to capture, recycle or reuse liquid waste: _____

e. Will the proposed action disturb more than one acre and create stormwater runoff, either from new point sources (i.e. ditches, pipes, swales, curbs, gutters or other concentrated flows of stormwater) or non-point source (i.e. sheet flow) during construction or post construction? Yes No

If Yes:

i. How much impervious surface will the project create in relation to total size of project parcel?

_____ Square feet or _____ acres (impervious surface)
_____ Square feet or _____ acres (parcel size)

ii. Describe types of new point sources. _____

iii. Where will the stormwater runoff be directed (i.e. on-site stormwater management facility/structures, adjacent properties, groundwater, on-site surface water or off-site surface waters)?

- If to surface waters, identify receiving water bodies or wetlands: _____

- Will stormwater runoff flow to adjacent properties? Yes No

iv. Does the proposed plan minimize impervious surfaces, use pervious materials or collect and re-use stormwater? Yes No

f. Does the proposed action include, or will it use on-site, one or more sources of air emissions, including fuel combustion, waste incineration, or other processes or operations? Yes No

If Yes, identify:

i. Mobile sources during project operations (e.g., heavy equipment, fleet or delivery vehicles)

ii. Stationary sources during construction (e.g., power generation, structural heating, batch plant, crushers)

iii. Stationary sources during operations (e.g., process emissions, large boilers, electric generation)

g. Will any air emission sources named in D.2.f (above), require a NY State Air Registration, Air Facility Permit, or Federal Clean Air Act Title IV or Title V Permit? Yes No

If Yes:

i. Is the project site located in an Air quality non-attainment area? (Area routinely or periodically fails to meet ambient air quality standards for all or some parts of the year) Yes No

ii. In addition to emissions as calculated in the application, the project will generate:

- _____ Tons/year (short tons) of Carbon Dioxide (CO₂)
- _____ Tons/year (short tons) of Nitrous Oxide (N₂O)
- _____ Tons/year (short tons) of Perfluorocarbons (PFCs)
- _____ Tons/year (short tons) of Sulfur Hexafluoride (SF₆)
- _____ Tons/year (short tons) of Carbon Dioxide equivalent of Hydrofluorocarbons (HFCs)
- _____ Tons/year (short tons) of Hazardous Air Pollutants (HAPs)

h. Will the proposed action generate or emit methane (including, but not limited to, sewage treatment plants, landfills, composting facilities)? Yes No

If Yes:

i. Estimate methane generation in tons/year (metric): _____

ii. Describe any methane capture, control or elimination measures included in project design (e.g., combustion to generate heat or electricity, flaring): _____

i. Will the proposed action result in the release of air pollutants from open-air operations or processes, such as quarry or landfill operations? Yes No

If Yes: Describe operations and nature of emissions (e.g., diesel exhaust, rock particulates/dust): _____

j. Will the proposed action result in a substantial increase in traffic above present levels or generate substantial new demand for transportation facilities or services? Yes No

If Yes:

i. When is the peak traffic expected (Check all that apply): Morning Evening Weekend
 Randomly between hours of _____ to _____.

ii. For commercial activities only, projected number of truck trips/day and type (e.g., semi trailers and dump trucks): _____

iii. Parking spaces: Existing _____ Proposed _____ Net increase/decrease _____

iv. Does the proposed action include any shared use parking? Yes No

v. If the proposed action includes any modification of existing roads, creation of new roads or change in existing access, describe: _____

vi. Are public/private transportation service(s) or facilities available within 1/2 mile of the proposed site? Yes No

vii. Will the proposed action include access to public transportation or accommodations for use of hybrid, electric or other alternative fueled vehicles? Yes No

viii. Will the proposed action include plans for pedestrian or bicycle accommodations for connections to existing pedestrian or bicycle routes? Yes No

k. Will the proposed action (for commercial or industrial projects only) generate new or additional demand for energy? Yes No

If Yes:

i. Estimate annual electricity demand during operation of the proposed action: _____
100 kwh

ii. Anticipated sources/suppliers of electricity for the project (e.g., on-site combustion, on-site renewable, via grid/local utility, or other):
Orange & Rockland Utilities

iii. Will the proposed action require a new, or an upgrade, to an existing substation? Yes No

l. Hours of operation. Answer all items which apply.

| | | | |
|--------------------------|------|--------------------------|----------|
| i. During Construction: | | ii. During Operations: | |
| • Monday - Friday: _____ | 7-5 | • Monday - Friday: _____ | 24 hours |
| • Saturday: _____ | 7-5 | • Saturday: _____ | 24 hours |
| • Sunday: _____ | None | • Sunday: _____ | 24 hours |
| • Holidays: _____ | None | • Holidays: _____ | 24 hours |

m. Will the proposed action produce noise that will exceed existing ambient noise levels during construction, operation, or both? Yes No
 If yes:
 i. Provide details including sources, time of day and duration:
 Construction equipment for residential construction during working hours for approximately 6-12 months.

ii. Will the proposed action remove existing natural barriers that could act as a noise barrier or screen? Yes No
 Describe: _____

n. Will the proposed action have outdoor lighting? Yes No
 If yes:
 i. Describe source(s), location(s), height of fixture(s), direction/aim, and proximity to nearest occupied structures:

ii. Will proposed action remove existing natural barriers that could act as a light barrier or screen? Yes No
 Describe: _____

o. Does the proposed action have the potential to produce odors for more than one hour per day? Yes No
 If Yes, describe possible sources, potential frequency and duration of odor emissions, and proximity to nearest occupied structures: _____

p. Will the proposed action include any bulk storage of petroleum (combined capacity of over 1,100 gallons) or chemical products 185 gallons in above ground storage or any amount in underground storage? Yes No
 If Yes:
 i. Product(s) to be stored _____
 ii. Volume(s) _____ per unit time _____ (e.g., month, year)
 iii. Generally, describe the proposed storage facilities: _____

q. Will the proposed action (commercial, industrial and recreational projects only) use pesticides (i.e., herbicides, insecticides) during construction or operation? Yes No
 If Yes:
 i. Describe proposed treatment(s):

ii. Will the proposed action use Integrated Pest Management Practices? Yes No

r. Will the proposed action (commercial or industrial projects only) involve or require the management or disposal of solid waste (excluding hazardous materials)? Yes No
 If Yes:
 i. Describe any solid waste(s) to be generated during construction or operation of the facility:
 • Construction: _____ tons per _____ (unit of time)
 • Operation : _____ tons per _____ (unit of time)
 ii. Describe any proposals for on-site minimization, recycling or reuse of materials to avoid disposal as solid waste:
 • Construction: _____

 • Operation: _____

 iii. Proposed disposal methods/facilities for solid waste generated on-site:
 • Construction: _____

 • Operation: _____

s. Does the proposed action include construction or modification of a solid waste management facility? Yes No

If Yes:

- i. Type of management or handling of waste proposed for the site (e.g., recycling or transfer station, composting, landfill, or other disposal activities): _____
- ii. Anticipated rate of disposal/processing:
 - _____ Tons/month, if transfer or other non-combustion/thermal treatment, or
 - _____ Tons/hour, if combustion or thermal treatment
- iii. If landfill, anticipated site life: _____ years

t. Will the proposed action at the site involve the commercial generation, treatment, storage, or disposal of hazardous waste? Yes No

If Yes:

- i. Name(s) of all hazardous wastes or constituents to be generated, handled or managed at facility: _____
- ii. Generally describe processes or activities involving hazardous wastes or constituents: _____
- iii. Specify amount to be handled or generated _____ tons/month
- iv. Describe any proposals for on-site minimization, recycling or reuse of hazardous constituents: _____
- v. Will any hazardous wastes be disposed at an existing offsite hazardous waste facility? Yes No

If Yes: provide name and location of facility: _____

If No: describe proposed management of any hazardous wastes which will not be sent to a hazardous waste facility: _____

E. Site and Setting of Proposed Action

E.1. Land uses on and surrounding the project site

a. Existing land uses.

i. Check all uses that occur on, adjoining and near the project site.

- Urban Industrial Commercial Residential (suburban) Rural (non-farm)
- Forest Agriculture Aquatic Other (specify): _____

ii. If mix of uses, generally describe: _____

b. Land uses and covertypes on the project site.

| Land use or Covertype | Current Acreage | Acreage After Project Completion | Change (Acres +/-) |
|--|-----------------|----------------------------------|--------------------|
| • Roads, buildings, and other paved or impervious surfaces | .19 | .25 | +.06 |
| • Forested | | | |
| • Meadows, grasslands or brushlands (non-agricultural, including abandoned agricultural) | | | |
| • Agricultural (includes active orchards, field, greenhouse etc.) | | | |
| • Surface water features (lakes, ponds, streams, rivers, etc.) | | | |
| • Wetlands (freshwater or tidal) | | | |
| • Non-vegetated (bare rock, earth or fill) | | | |
| • Other Describe: Grass | .96 | .90 | -.06 |

c. Is the project site presently used by members of the community for public recreation? Yes No
i. If Yes: explain: _____

d. Are there any facilities serving children, the elderly, people with disabilities (e.g., schools, hospitals, licensed day care centers, or group homes) within 1500 feet of the project site? Yes No
If Yes,
i. Identify Facilities:

e. Does the project site contain an existing dam? Yes No
If Yes:
i. Dimensions of the dam and impoundment:
• Dam height: _____ feet
• Dam length: _____ feet
• Surface area: _____ acres
• Volume impounded: _____ gallons OR acre-feet
ii. Dam's existing hazard classification: _____
iii. Provide date and summarize results of last inspection:

f. Has the project site ever been used as a municipal, commercial or industrial solid waste management facility, or does the project site adjoin property which is now, or was at one time, used as a solid waste management facility? Yes No
If Yes:
i. Has the facility been formally closed? Yes No
• If yes, cite sources/documentation: _____
ii. Describe the location of the project site relative to the boundaries of the solid waste management facility:

iii. Describe any development constraints due to the prior solid waste activities: _____

g. Have hazardous wastes been generated, treated and/or disposed of at the site, or does the project site adjoin property which is now or was at one time used to commercially treat, store and/or dispose of hazardous waste? Yes No
If Yes:
i. Describe waste(s) handled and waste management activities, including approximate time when activities occurred:

h. Potential contamination history. Has there been a reported spill at the proposed project site, or have any remedial actions been conducted at or adjacent to the proposed site? Yes No
If Yes:
i. Is any portion of the site listed on the NYSDEC Spills Incidents database or Environmental Site Remediation database? Check all that apply: Yes No
 Yes – Spills Incidents database Provide DEC ID number(s): _____
 Yes – Environmental Site Remediation database Provide DEC ID number(s): _____
 Neither database
ii. If site has been subject of RCRA corrective activities, describe control measures: _____

iii. Is the project within 2000 feet of any site in the NYSDEC Environmental Site Remediation database? Yes No
If yes, provide DEC ID number(s): _____
iv. If yes to (i), (ii) or (iii) above, describe current status of site(s):

v. Is the project site subject to an institutional control limiting property uses? Yes No

- If yes, DEC site ID number: _____
- Describe the type of institutional control (e.g., deed restriction or easement): _____
- Describe any use limitations: _____
- Describe any engineering controls: _____
- Will the project affect the institutional or engineering controls in place? Yes No
- Explain: _____

E.2. Natural Resources On or Near Project Site

a. What is the average depth to bedrock on the project site? _____ 12 feet

b. Are there bedrock outcroppings on the project site? Yes No
 If Yes, what proportion of the site is comprised of bedrock outcroppings? _____ %

c. Predominant soil type(s) present on project site: Wethersfield Gravelly Silt _____ 100 %
 _____ %
 _____ %

d. What is the average depth to the water table on the project site? Average: _____ 10 feet

e. Drainage status of project site soils: Well Drained: _____ 100 % of site
 Moderately Well Drained: _____ % of site
 Poorly Drained _____ % of site

f. Approximate proportion of proposed action site with slopes: 0-10%: _____ 100 % of site
 10-15%: _____ % of site
 15% or greater: _____ % of site

g. Are there any unique geologic features on the project site? Yes No
 If Yes, describe: _____

h. Surface water features.

i. Does any portion of the project site contain wetlands or other waterbodies (including streams, rivers, ponds or lakes)? Yes No

ii. Do any wetlands or other waterbodies adjoin the project site? Yes No

If Yes to either *i* or *ii*, continue. If No, skip to E.2.i.

iii. Are any of the wetlands or waterbodies within or adjoining the project site regulated by any federal, state or local agency? Yes No

iv. For each identified regulated wetland and waterbody on the project site, provide the following information:

- Streams: Name _____ Classification _____
- Lakes or Ponds: Name _____ Classification _____
- Wetlands: Name _____ Approximate Size _____
- Wetland No. (if regulated by DEC) _____

v. Are any of the above water bodies listed in the most recent compilation of NYS water quality-impaired waterbodies? Yes No
 If yes, name of impaired water body/bodies and basis for listing as impaired: _____

i. Is the project site in a designated Floodway? Yes No

j. Is the project site in the 100-year Floodplain? Yes No

k. Is the project site in the 500-year Floodplain? Yes No

l. Is the project site located over, or immediately adjoining, a primary, principal or sole source aquifer? Yes No
 If Yes:
 i. Name of aquifer: Principal aquifer _____

m. Identify the predominant wildlife species that occupy or use the project site: _____

n. Does the project site contain a designated significant natural community? Yes No
 If Yes:
 i. Describe the habitat/community (composition, function, and basis for designation): _____

 ii. Source(s) of description or evaluation: _____
 iii. Extent of community/habitat:
 • Currently: _____ acres
 • Following completion of project as proposed: _____ acres
 • Gain or loss (indicate + or -): _____ acres

o. Does project site contain any species of plant or animal that is listed by the federal government or NYS as endangered or threatened, or does it contain any areas identified as habitat for an endangered or threatened species? Yes No
 If Yes:
 i. Species and listing (endangered or threatened): _____

p. Does the project site contain any species of plant or animal that is listed by NYS as rare, or as a species of special concern? Yes No
 If Yes:
 i. Species and listing: _____

q. Is the project site or adjoining area currently used for hunting, trapping, fishing or shell fishing? Yes No
 If yes, give a brief description of how the proposed action may affect that use: _____

E.3. Designated Public Resources On or Near Project Site

a. Is the project site, or any portion of it, located in a designated agricultural district certified pursuant to Agriculture and Markets Law, Article 25-AA, Section 303 and 304? Yes No
 If Yes, provide county plus district name/number: _____

b. Are agricultural lands consisting of highly productive soils present? Yes No
 i. If Yes: acreage(s) on project site? _____
 ii. Source(s) of soil rating(s): _____

c. Does the project site contain all or part of, or is it substantially contiguous to, a registered National Natural Landmark? Yes No
 If Yes:
 i. Nature of the natural landmark: Biological Community Geological Feature
 ii. Provide brief description of landmark, including values behind designation and approximate size/extent: _____

d. Is the project site located in or does it adjoin a state listed Critical Environmental Area? Yes No
 If Yes:
 i. CEA name: _____
 ii. Basis for designation: _____
 iii. Designating agency and date: _____

| | |
|--|---|
| e. Does the project site contain, or is it substantially contiguous to, a building, archaeological site, or district which is listed on the National or State Register of Historic Places, or that has been determined by the Commissioner of the NYS Office of Parks, Recreation and Historic Preservation to be eligible for listing on the State Register of Historic Places? | <input type="checkbox"/> Yes <input checked="" type="checkbox"/> No |
| If Yes: | |
| <i>i.</i> Nature of historic/archaeological resource: <input type="checkbox"/> Archaeological Site <input type="checkbox"/> Historic Building or District | |
| <i>ii.</i> Name: _____ | |
| <i>iii.</i> Brief description of attributes on which listing is based: _____ | |
| f. Is the project site, or any portion of it, located in or adjacent to an area designated as sensitive for archaeological sites on the NY State Historic Preservation Office (SHPO) archaeological site inventory? | <input type="checkbox"/> Yes <input checked="" type="checkbox"/> No |
| g. Have additional archaeological or historic site(s) or resources been identified on the project site? | |
| If Yes: | |
| <i>i.</i> Describe possible resource(s): _____ | |
| <i>ii.</i> Basis for identification: _____ | |
| h. Is the project site within five miles of any officially designated and publicly accessible federal, state, or local scenic or aesthetic resource? | <input type="checkbox"/> Yes <input checked="" type="checkbox"/> No |
| If Yes: | |
| <i>i.</i> Identify resource: _____ | |
| <i>ii.</i> Nature of, or basis for, designation (e.g., established highway overlook, state or local park, state historic trail or scenic byway, etc.): _____ | |
| <i>iii.</i> Distance between project and resource: _____ miles. | |
| i. Is the project site located within a designated river corridor under the Wild, Scenic and Recreational Rivers Program 6 NYCRR 666? | <input type="checkbox"/> Yes <input checked="" type="checkbox"/> No |
| If Yes: | |
| <i>i.</i> Identify the name of the river and its designation: _____ | |
| <i>ii.</i> Is the activity consistent with development restrictions contained in 6NYCRR Part 666? | |
| <input type="checkbox"/> Yes <input type="checkbox"/> No | |

F. Additional Information

Attach any additional information which may be needed to clarify your project.

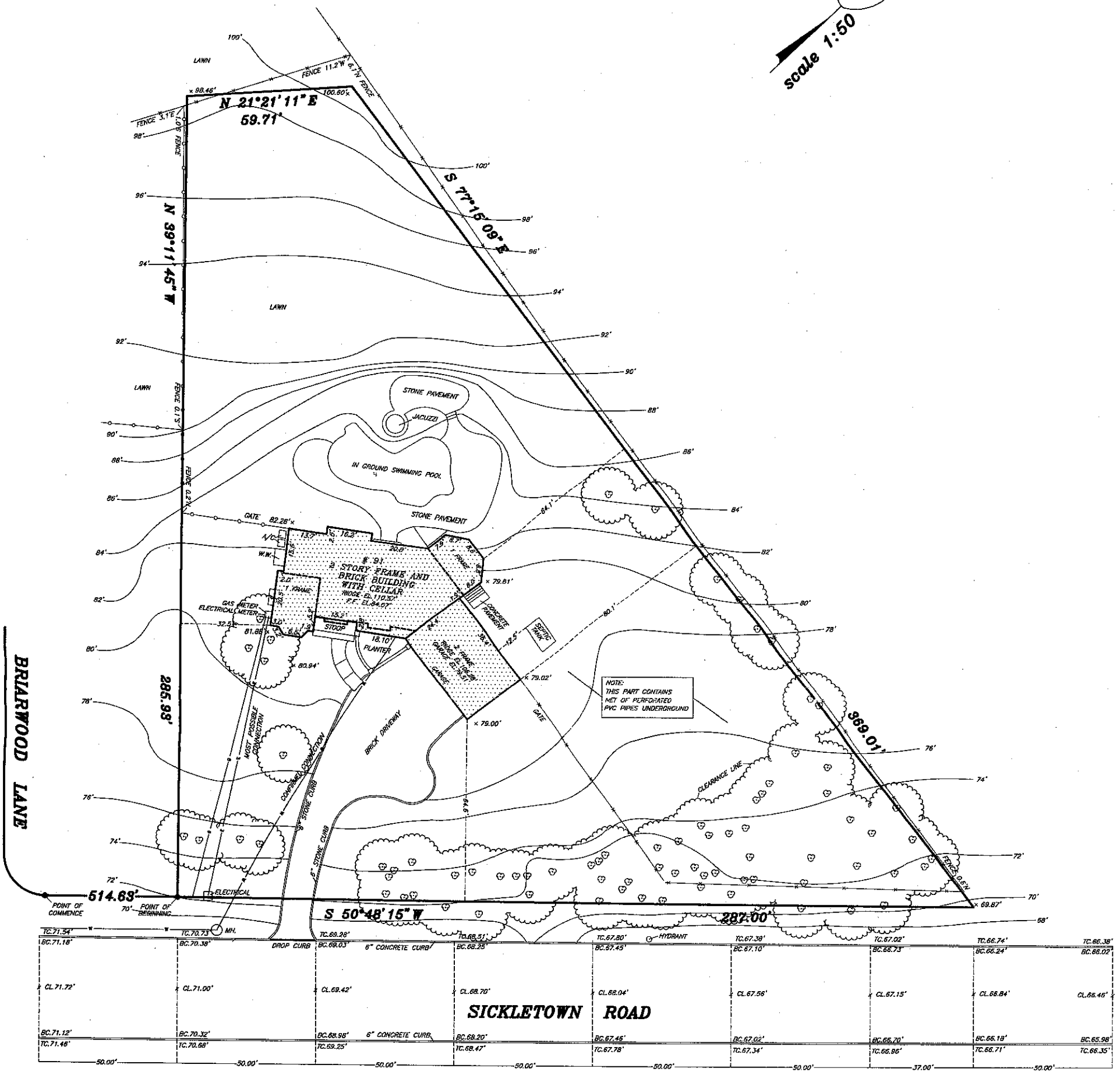
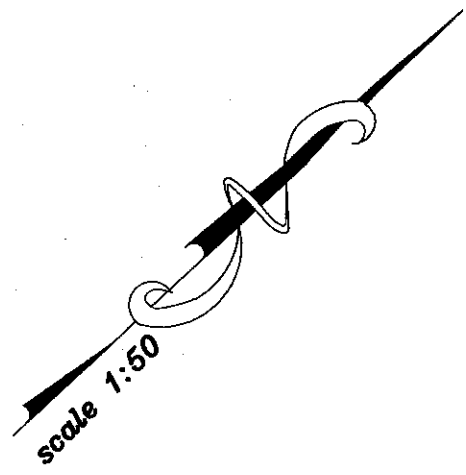
If you have identified any adverse impacts which could be associated with your proposal, please describe those impacts plus any measures which you propose to avoid or minimize them.

G. Verification

I certify that the information provided is true to the best of my knowledge.

Applicant/Sponsor Name Tom Gorman Date 11/14/2021

Signature  Title _____



THE EXISTENCE OF RIGHT OF WAY AND/OR EASEMENT OF RECORD, IF ANY, NOT SHOWN ARE NOT CERTIFIED.

NOTE:
 1. UNAUTHORIZED ALTERATION OR ADDITION TO THIS SURVEY IS A VIOLATION OF SECTION 7209 OF THE NEW YORK STATE EDUCATION LAW.
 2. COPIES OF THIS SURVEY MAP NOT BEARING THE LAND SURVEYOR'S INKED SEAL OR EMBOSSED SEAL SHALL NOT BE CONSIDERED TO BE A VALID TRUE COPY.
 3. CERTIFICATION INDICATED HEREON SHALL RUN ONLY TO THE PERSON FOR WHOM THE SURVEY IS PREPARED, AND ON HIS BEHALF TO THE TITLE COMPANY, GOVERNMENTAL, AGENCY AND LENDING INSTITUTION LISTED HEREON AND TO THE ASSIGNEES OF THE LENDING INSTITUTION. CERTIFICATIONS ARE NOT TRANSFERABLE TO ADDITIONAL INSTITUTIONS OR SUBSEQUENT OWNERS.
 4. UNDERGROUND IMPROVEMENTS OR ENCROACHMENTS, IF ANY, ARE NOT SHOWN HEREON.
 5. ALL TREES SHOWN ARE, DECIDUOUS OVER 8" AND CONIFEROUS OVER 5" AT CALIPER.

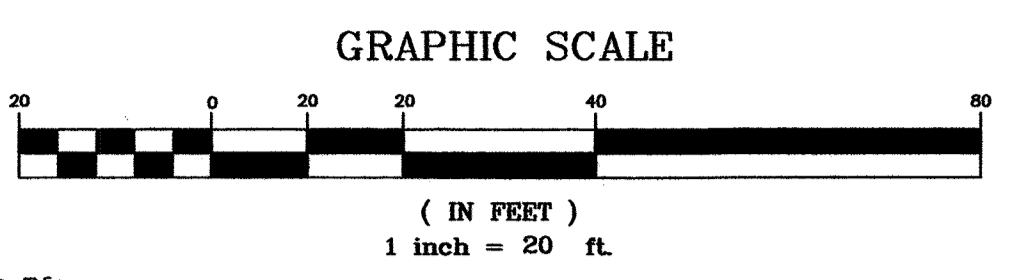
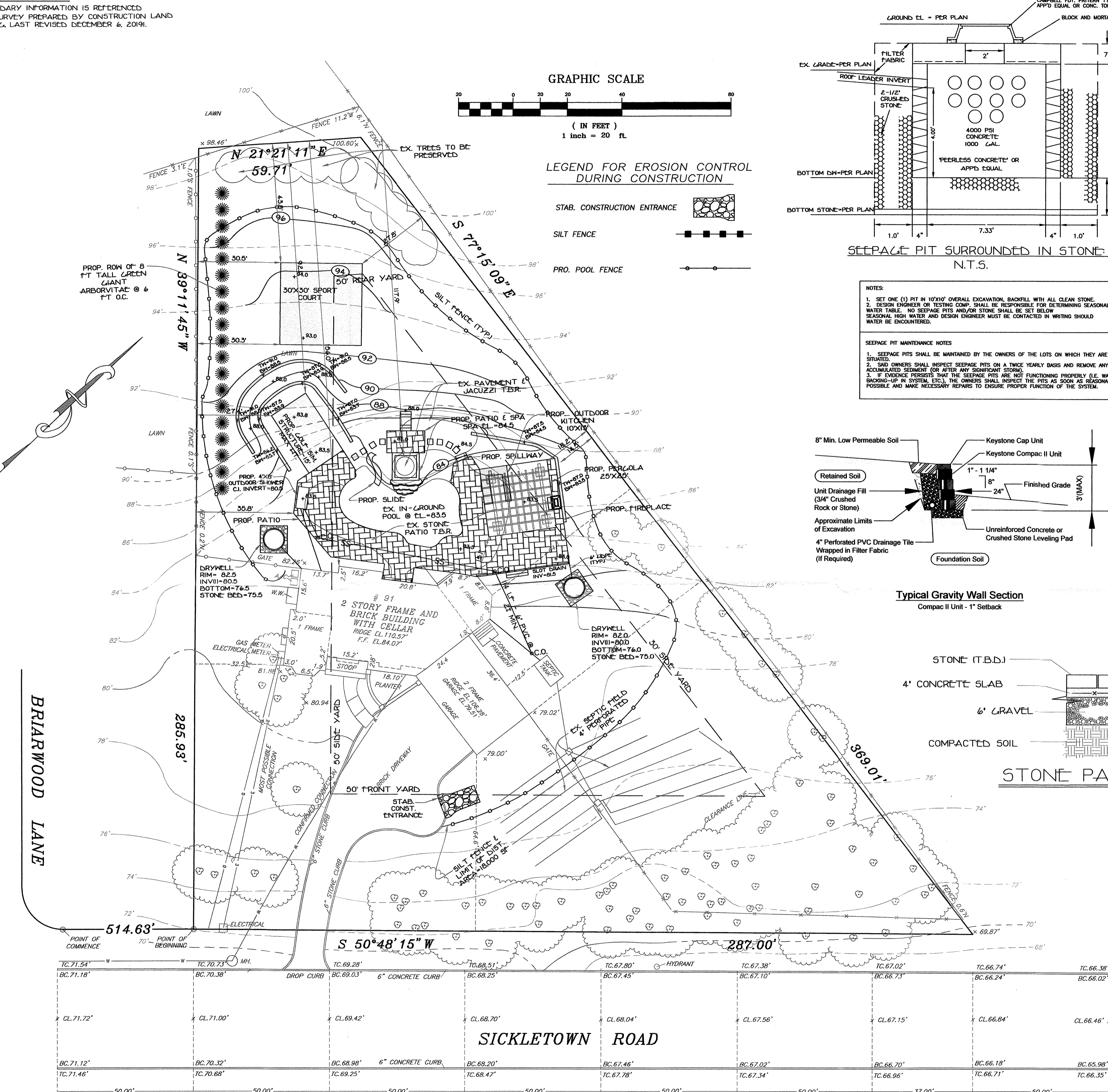
CERTIFIED TO:
 DEPARTMENT OF BUILDING

CSE CONSTRUCTION
 LAND SURVEYING
 61-51 DRY HARBOR RD.
 MIDDLE VILLAGE NY 11379
 TELEPHONE (347) 981-8435
 FAX (347) 730-6691
 WWW.CSESUWALA.COM

licensed in NY and NJ
 BRIARWOOD HEIGHTS
 TOWN OF ORANBURG
 COUNTY OF ROCKLAND
 STATE OF NEW YORK
 TAX MAP
 SECTION 38
 BLOCK 341
 LOT 48.6

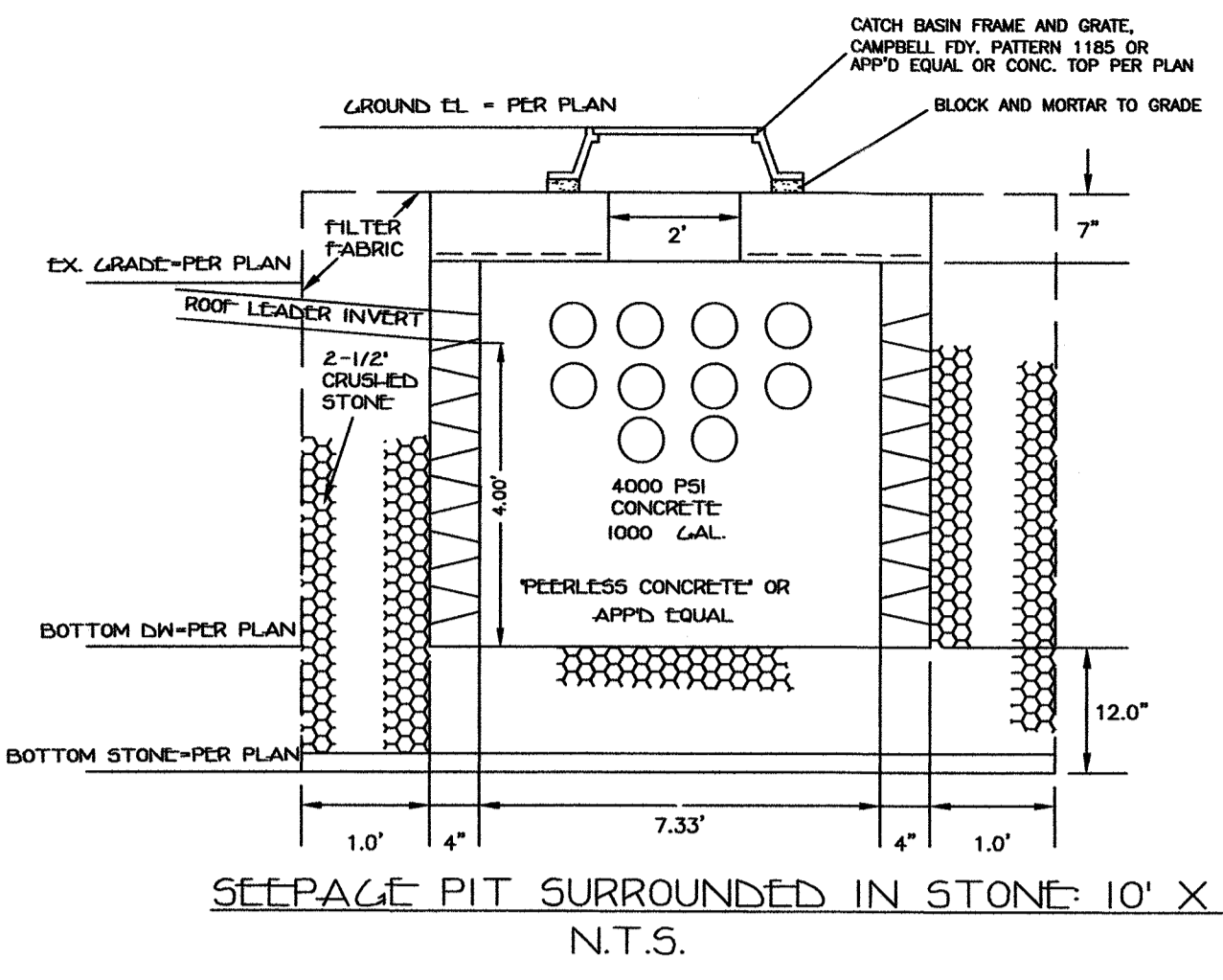
DATE: DECEMBER 6, 2019

TAX LOT: SECTION 69.15, BLOCK 1, LOT 2
 REFERENCES:
 ALL BOUNDARY INFORMATION IS REFERENCED
 FROM A SURVEY PREPARED BY CONSTRUCTION LAND
 SURVEYING, LAST REVISED DECEMBER 6, 2019.



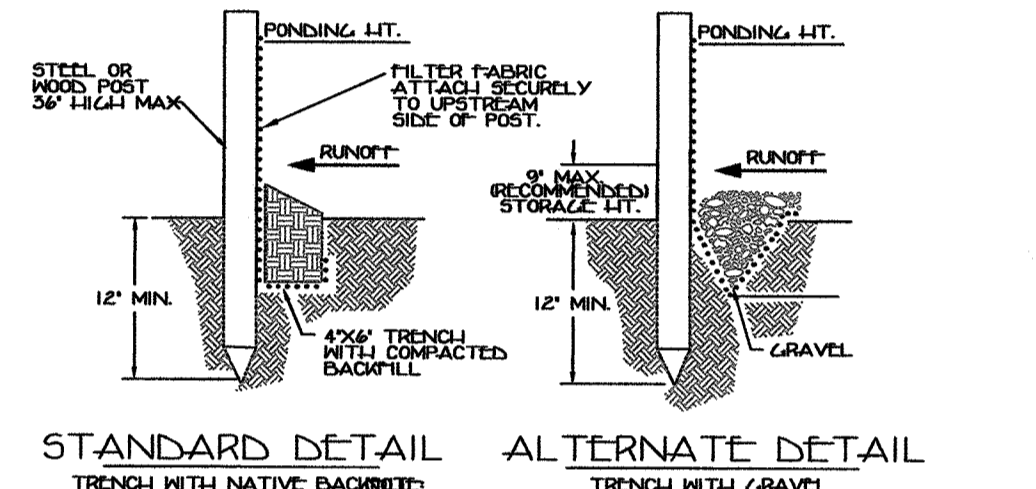
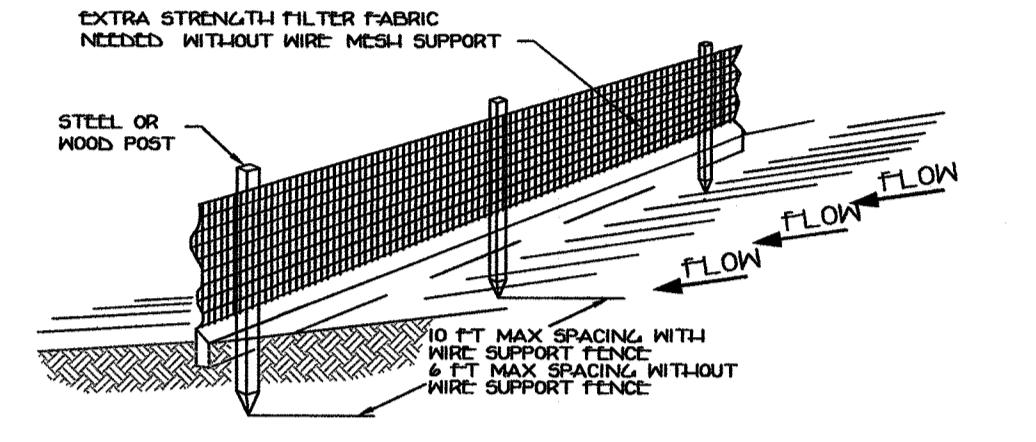
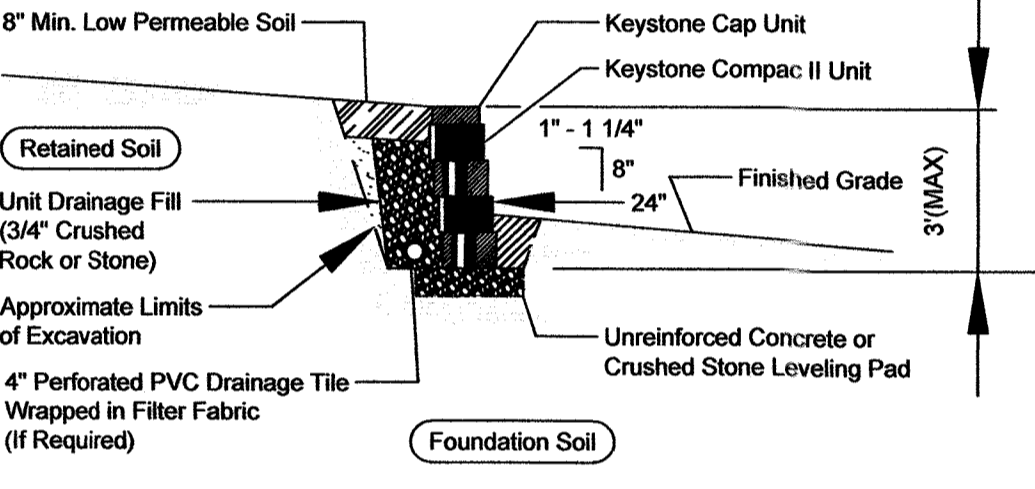
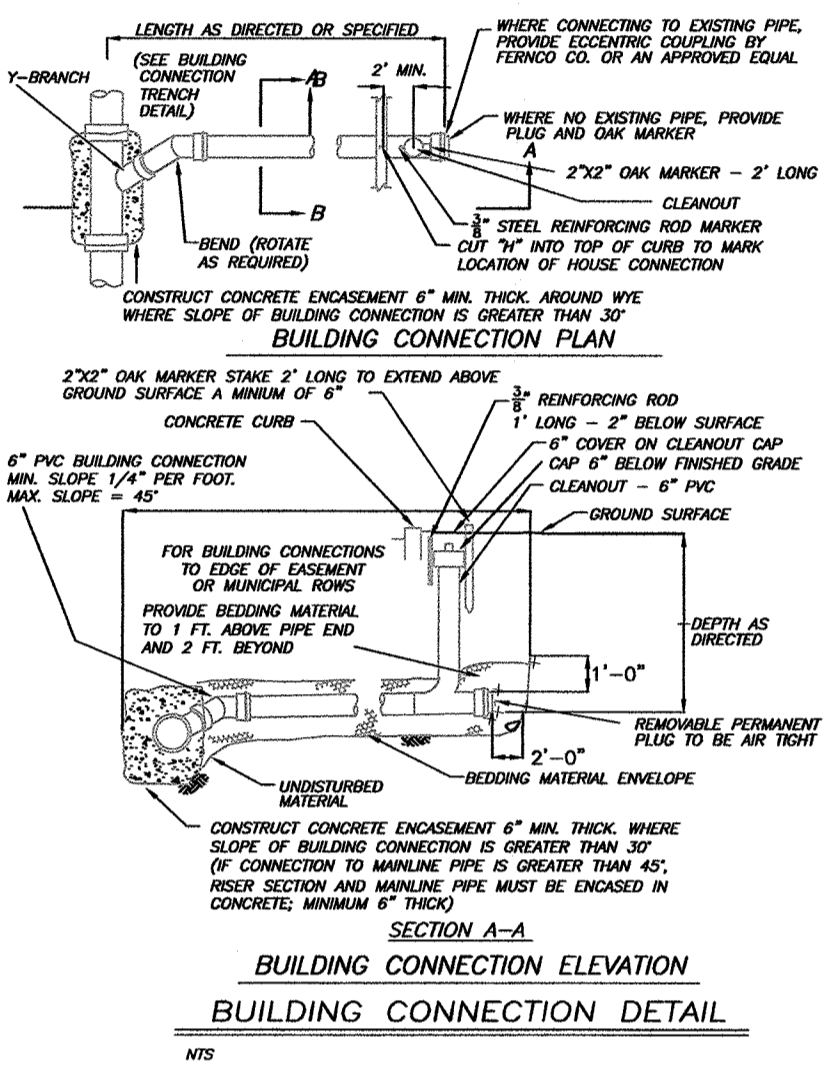
LEGEND FOR EROSION CONTROL DURING CONSTRUCTION

- STAB. CONSTRUCTION ENTRANCE
- SILT FENCE
- PRO. POOL FENCE

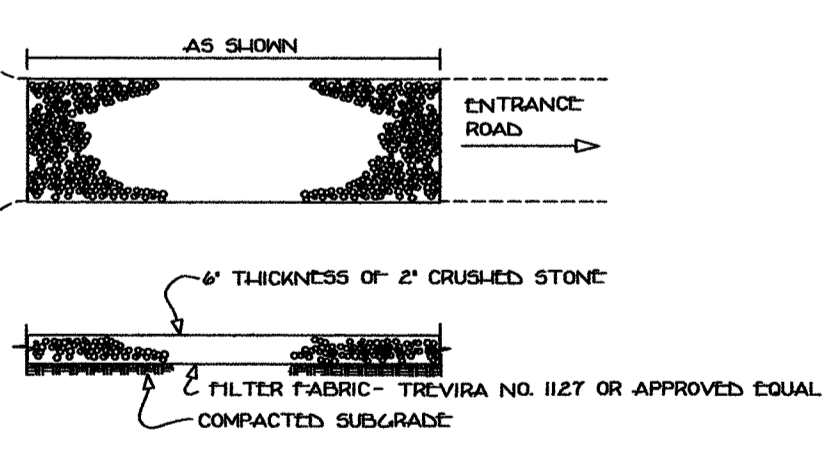
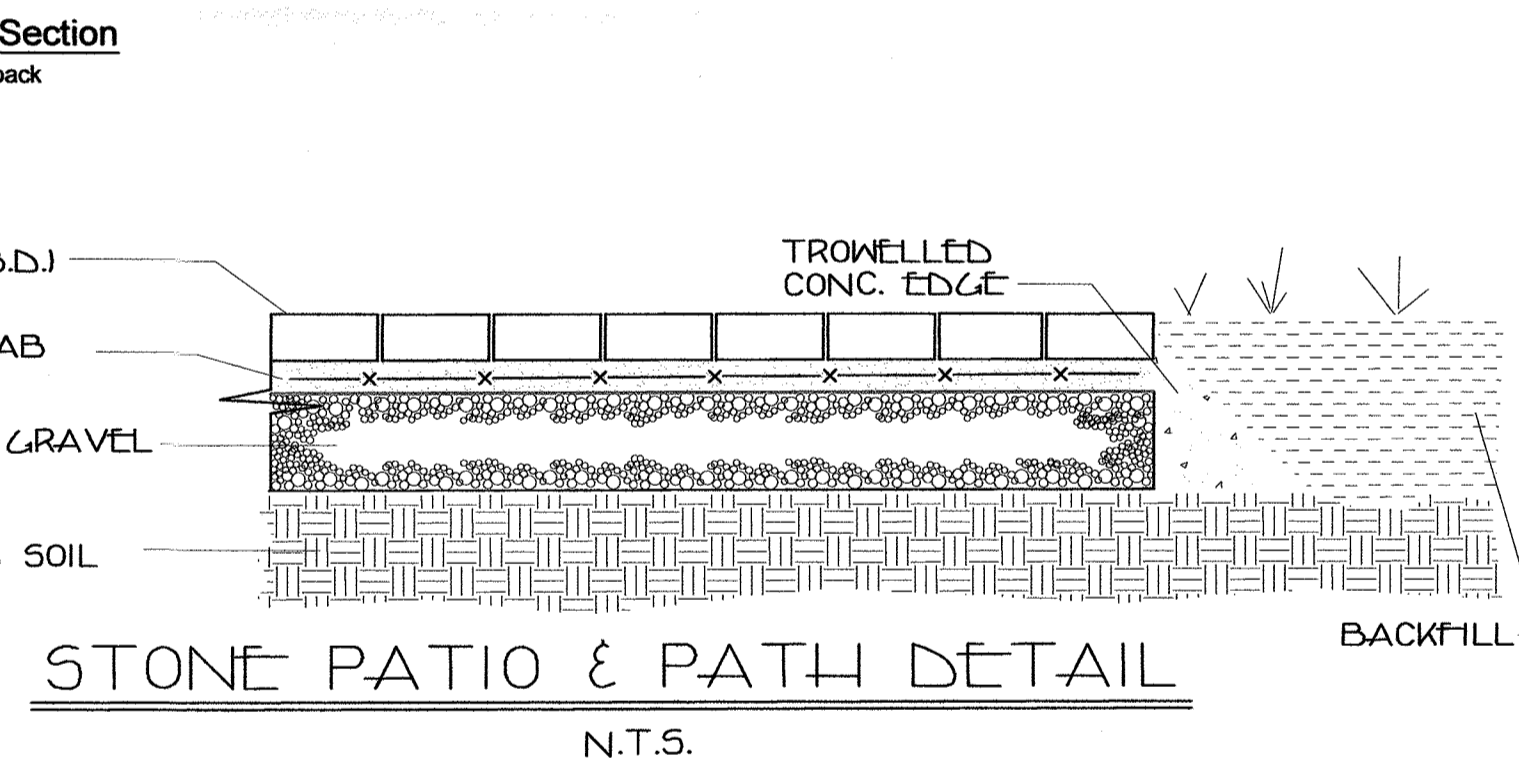


NOTES:
 1. SET ONE (1) PIT IN 10'X10' OVERALL EXCAVATION, BACKFILL WITH ALL CLEAN STONE.
 2. DESIGN OWNERS OR TESTING COMP. SHALL BE RESPONSIBLE FOR DETERMINING SEASONAL HIGH WATER TABLE. NO SEEPAGE PITS AND/OR STONE SHALL BE SET BELOW SEASONAL HIGH WATER AND DESIGN ENGINEER MUST BE CONTACTED IN WRITING SHOULD WATER BE ENCOUNTERED.
 SEEPAGE PIT MAINTENANCE NOTES:
 1. SEEPAGE PITS SHALL BE MAINTAINED BY THE OWNERS OF THE LOTS ON WHICH THEY ARE SITUATED.
 2. SAID OWNERS SHALL INSPECT SEEPAGE PITS ON A TWICE YEARLY BASIS AND REMOVE ANY ACCUMULATED SEDIMENT (OR AFTER ANY SIGNIFICANT STORM).
 3. IF EVIDENCE PERSISTS THAT THE SEEPAGE PITS ARE NOT FUNCTIONING PROPERLY (E.G. WATER BACKING-UP IN SYSTEM, ETC.), THE OWNERS SHALL INSPECT THE PITS AS SOON AS REASONABLY POSSIBLE AND MAKE NECESSARY REPAIRS TO ENSURE PROPER FUNCTION OF THE SYSTEM.

COVERAGE CALCULATION:
 EXISTING:
 DWELLING & PORCH = 3,340 SF
 DRIVEWAY & FRONT WALK = 2,515 SF
 RATIO = 1.014 SF
 POOL = 830 SF
 SPA = 69 SF
 TOTAL EX. = 8,268 SF
 PROPOSED:
 DWELLING & PORCH = 3,340 SF
 DRIVEWAY & FRONT WALK = 2,515 SF
 RATIO = 2,729 SF
 POOL = 830 SF
 SPA = 100
 SPORT COURT = 900 SF
 GOLF SIMULATOR = 375 SF
 TOTAL PRO. = 10,689 SF
 INCREASE IN IMPERVIOUS SURFACES = 2,421 SF



SILT FENCE N.T.S.



BULK REQUIREMENTS:

| ZONE R-40 | USE GROUP E | REQUIRED | EXISTING | PROPOSED |
|--|-------------|------------------|--------------|--------------|
| MAXIMUM FLOOR AREA RATIO | | 015 | N/A | N/A |
| MINIMUM LOT AREA | | 40000 SQ.FT. | 50094 SQ.FT. | 50094 SQ.FT. |
| MINIMUM LOT WIDTH | | 150 FT. | 248 FT. | 248 FT. |
| MINIMUM STREET FRONTAGE | | 100 FT. | 287 FT. | 287 FT. |
| MINIMUM FRONT YARD | | 50 FT. | 44.6 FT. | 44.6 FT. |
| MINIMUM SIDE YARD (NORTH) | | 30 FT. | 44.1 FT. | 18.2 FT. * |
| MINIMUM SIDE YARD (SOUTH) | | 30 FT. | 32.5 FT. | 27.4 FT. * |
| MINIMUM TOTAL SIDE YARD | | 80 FT. | 96.6 FT. | 96.6 FT. |
| MINIMUM REAR YARD | | 50 FT. | 156.0 FT. | 92.1 FT. |
| MINIMUM REAR YARD (POOL) | | 20 FT. | 117.9 FT. | 117.9 FT. |
| MAXIMUM BUILDING HEIGHT | | 8 INCL. FROM LOT | 35 FT. | 35 FT. |
| SEPARATION OF ACCESSORY FROM PRINCIPAL STRUCTURE | | 15 FT. | N/A | 15.1 FT. |

* VARIANCE REQUIRED

1. INSPECT AND REPAIR FENCE AFTER EACH STORM EVENT AND REMOVE SEDIMENT WHEN NECESSARY.
 2. REMOVED SEDIMENT SHALL BE DEPOSITED TO AN AREA THAT WILL NOT CONTRIBUTE SEDIMENT OFF-SITE AND CAN BE PERMANENTLY STABILIZED.
 3. SILT FENCE SHALL BE PLACED ON SLOPE, OUTSLOPE TO MAXIMIZE FLOODING EFFICIENCY.

| DATE | REVISIONS |
|--------------|---------------------------------|
| JAN 19, 2022 | REVISED BULK TABLE |
| JAN 6, 2022 | REVISED PER ZBA MEETING 1/5/22 |
| JAN 4, 2022 | ADDED SEPTIC & REVISED DRAINAGE |

STEVE GRIGGS DESIGN
 76 SPRUCE STREET
 BLAUVELT, NY 10913
 STEVE GRIGGS-ASLA MEMBER #77467
 TEL: (914) 879-5602
 EMAIL: STEVE@STEVEGRIGGSDESIGN.COM
 KATHLEEN SAKAL-LANDSCAPE DESIGNER
 KATHY@STEVEGRIGGSDESIGN.COM

FEB 16 2022 PLOT PLAN FOR GORMAN 69.15-1-2 91 SICKLETOWN ROAD LOCATED IN THE HAMLET OF ORANGEBURG TOWN OF ORANGE TOWN ROCKLAND COUNTY, NEW YORK

PAUL GDANSKI P.E., PLLC
 633 WOODMONT LANE
 SLOATSBURG, NY 10974
 TEL: (917) 418-0999
 EMAIL: PGSKI@EARTHLINK.NET

UNAUTHORIZED ALTERATION OR ADDITION TO THIS PLAN IS A VIOLATION OF SECTION 7209(2) OF THE NEW YORK STATE EDUCATION LAW. COPIES OF THIS MAP NOT HAVING THE SEAL OF THE SURVEYOR OR ENGINEER SHALL NOT BE VALID.
 CERTIFICATIONS ARE NOT TRANSFERABLE TO ADDITIONAL INSTITUTIONS OR SUBSEQUENT OWNERS.
 USE OF UNSEALED COPIES OF THIS DOCUMENT IN ANY COURT, FINANCIAL OR LAND TRANSACTION OR FILING WITH ANY AGENCY OR OFFICE IS AN UNAUTHORIZED VIOLATION OF FEDERAL COPYRIGHT LAWS.

PAUL GDANSKI, P.E. 075890

91SICKLE
 SEP 20, 2021
 1" = 20'
 1 OF 1