



INDIRECT STORE



WIRELESS ZONE
89 N MIDDLETON ROAD
PEARL RIVER, NY 10965

ARCHITECTURE AND CULMINITY
APPEARANCE BOARD - FIVEVIEW
MEETING DATE: *March 4, 2021*

EXTERIOR SIGNAGE SUBMITTAL

VW OP008306_Pearl River, NY
2018-09-17

DESIGN APPROVAL:

SUBMITTAL RECORD	
DATE	REMARKS



LEGEND

		QTY
1	EAST ELEVATION WALL SIGN	1
2	DOOR VINYL	1 SET

KEY

SIGN LOCATION —

BUILDING OUTLINE - - - - -



Table 3

Sign Letter Height Lookup Table

Sign Viewing Type

Parallel

Illumination Type

Internal Opaque

Sign Offset from Curb (Feet)	Required Sign Letter Height (Inches)							
	Total Number of Lanes on Roadway							
	1	2	3	4	5	6	7	8
5 - 9	3	5½	7½	9½	11½	14	18	18
10 - 14	4	6½	8½	10½	12½	15	17	19
15 - 19	5½	7½	9½	11½	14	16	18	20
20 - 24	6½	8½	10½	12½	15	17	19	21
25 - 29	7½	9½	11½	14	16	18	20	22
30 - 34	8½	10½	12½	15	17	19	21	23½
35 - 39	9½	11½	14	16	18	20	22	24½
40 - 44	10½	12½	15	17	19	21	23½	25½
45 - 49	11½	14	16	18	20	22	24½	26½
50 - 54	12½	15	17	19	21	23½	25½	27½
55 - 59	14	16	18	20	22	24½	26½	28½
60 - 64	15	17	19	21	23½	25½	27½	29½
65 - 69	16	18	20	22	24½	26½	28½	30½
70 - 74	17	19	21	23½	25½	27½	29½	32
75 - 79	18	20	22	24½	26½	28½	30½	33
80 - 84	19	21	23½	25½	27½	29½	32	34
85 - 89	20	22	24½	26½	28½	30½	33	35
90 - 94	21	23½	25½	27½	29½	32	34	36
95 - 99	22	24½	26½	28½	30½	33	35	37
100-109	23½	25½	27½	29½	32	34	36	38
110-119	25	27½	29½	32	33½	36	38½	40
120-129	27½	29½	32	33½	36	38½	40	42½
130-139	29½	32	33½	36	38½	40	42½	44½
140-149	32	33½	36	38½	40	42½	44½	47
150-159	33½	36	38½	40	42½	44½	47	48½
160-169	36	38½	40	42½	44½	47	48½	51
170-179	38½	40	42½	44½	47	48½	51	53
180-189	40	42½	44½	47	48½	51	53	55
190-199	42½	44½	47	48½	51	53	55	57
200-219	44½	47	48½	51	53	55	57	59½
220-239	48½	51	53	55	57	59½	61	63½
240-259	53	55	57	59½	61	63½	65½	68
260-279	57	59½	61	63½	65½	68	69½	72
280-299	61	63½	65½	68	69½	72	74	76
300-319	65½	68	69½	72	74	76	78½	80½
320-339	69½	72	74	76	78½	80½	83	84½
340-359	74	76	78½	80½	83	84½	87	89
360-379	78½	80½	83	84½	87	89	91	93
380-399	83	84½	87	89	91	93	95½	97
400+	87	89	91	93	95½	97	99½	101½

SIGN 1

Landlord and/or Zoning Restrictions

City:

Wall signs: Business signs with total sign area per establishment not to exceed 15% of the sign wall area, and in no event more than 40 square feet.

Landlord:

N/A

Location:	Permitted	Proposed
East Elevation (Entry Facade)	(24 x 21) x 15% = 75.6 SF	23.9 SF

Verizon Guideline Conformance/Exception and Justification:

No exceptions noted.





EXISTING SIGNAGE:
 EXISTING VERIZON SIGNAGE HEIGHT - 43"
 EXISTING ADJACENT TENANT SIGNAGE HEIGHT - TBD

EXISTING CONDITION

NOTE:
 ALL EXISTING, NON-STANDARD, WINDOW GRAPHICS AND SIGNAGE
 TO BE REMOVED AND REPLACED WITH NEW STANDARD GRAPHICS.

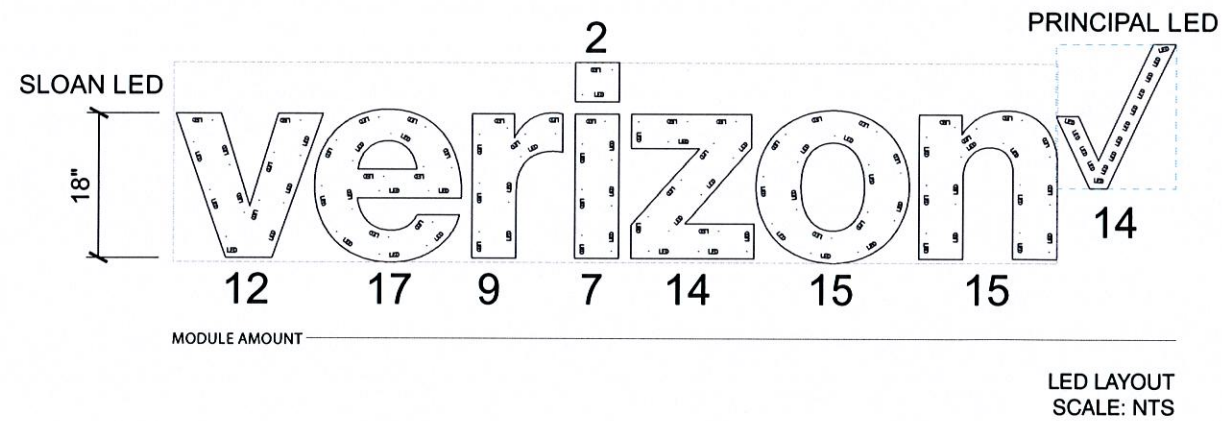
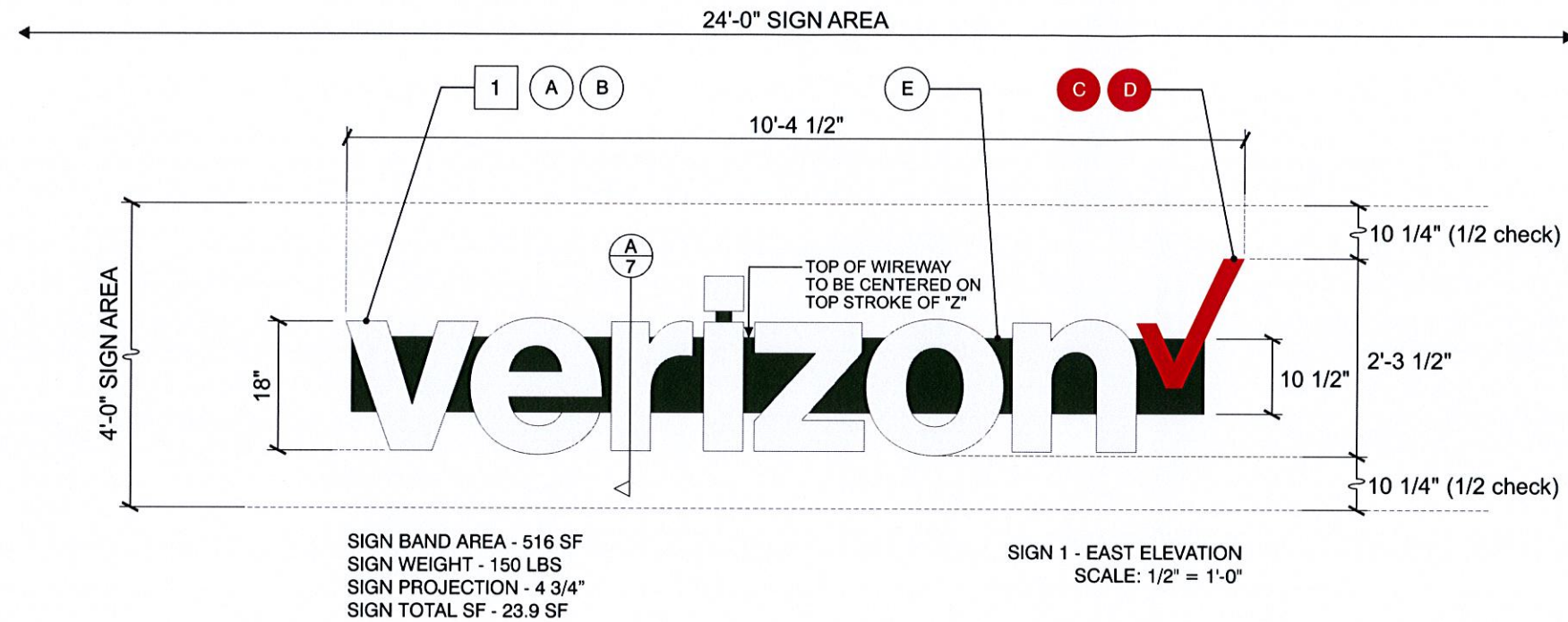
REVISED CONDITION

KEY NOTES

1	2" DEEP, FACE-LIT, FABRICATED ALUMINUM CHANNEL LETTERS MOUNTED TO 2 3/4" DEEP FABRICATED ALUMINUM WIREWAY.
---	--

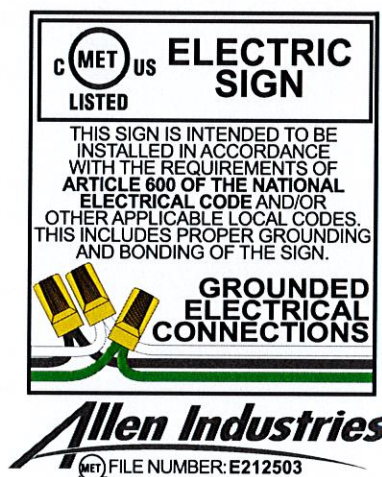
COLORS

- A 3/16" #7328 P95 ACRYLIC
- B MP #6425 SP SATIN HI HIDE WHITE TRIM & RETURNS
- C #7328 P95 WHITE ACRYLIC WITH APPLIED TRANSLUCENT VINYL 3M 3630-143 POPPY RED
- D MP #643 SATIN PMS 485 TRIM & RETURNS
- E WIREWAY PAINTED TO MATCH FACADE SW 6762 POSIEDON; LRV = 11

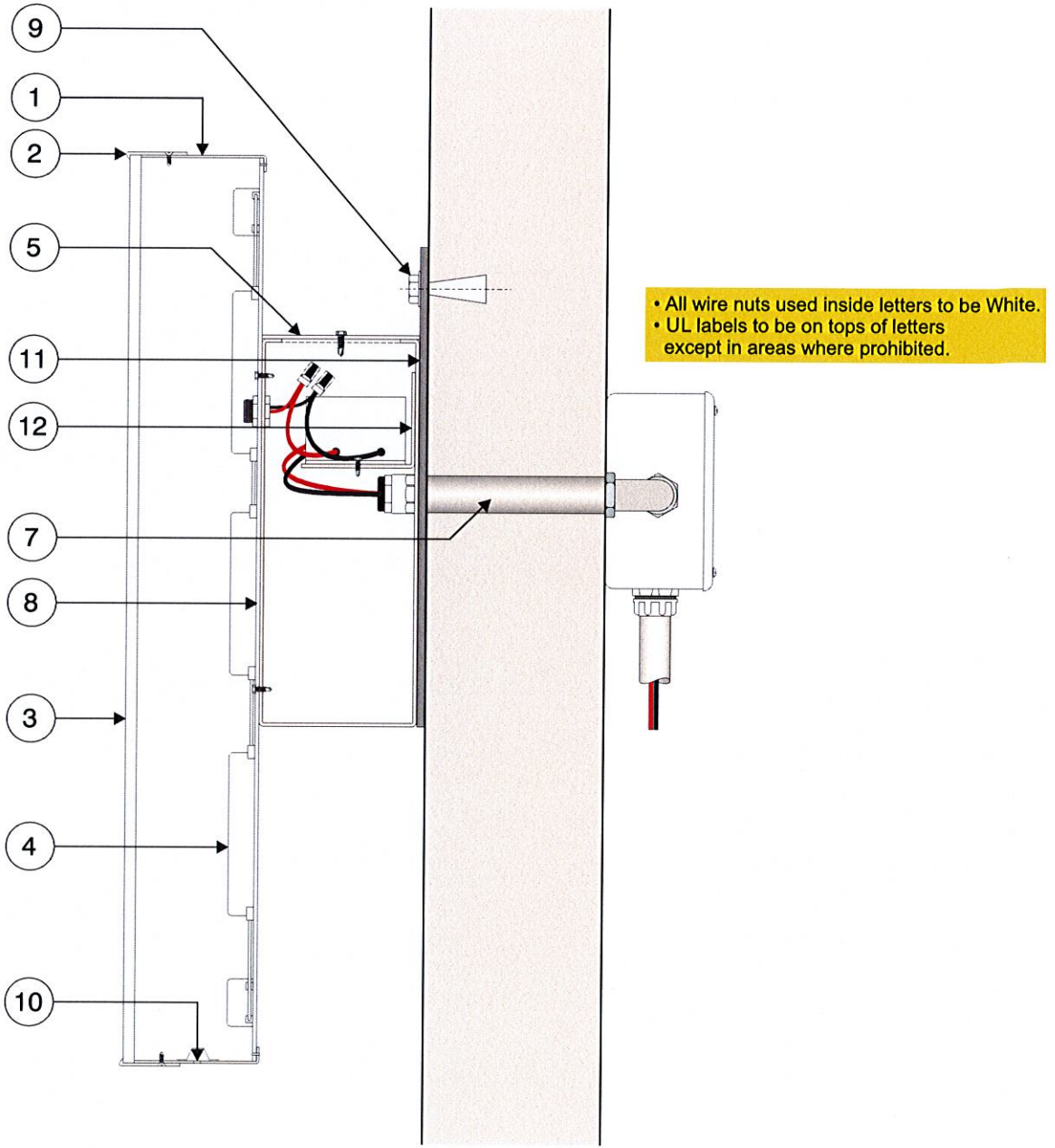


- E 91 ea. SloanLED Prism #701269-6WSJ1-MB
14 ea. Principal PL-FS3-RD1-P
1 ea. Sloan 120D1 + 1 ea. Sloan 60C1 Power Supply
Total Electrical Amp Load = 2.4 Amps
One (1) 120 Volt - 20 Amp
Circuit Breaker Required for Sign

TARGET "V" HEIGHT: 21"
ACTUAL "V" HEIGHT: 18"
23.9 SF



VERIZON LETTERS	
1	0.040 ALUMINUM RETURNS (2" DEPTH): PAINTED MP #6425 SP SATIN HI HIDE WHITE
2	3/4" TRIM CAP: PAINTED MP #6425 SP SATIN HI HIDE WHITE
3	3/16" ACRYLIC FACE: #7328 P95 ACRYLIC
4	LED UNITS (WHITE): SLOAN V180 STANDARD 701269-6WSG1-MB
CHECKMARK LOGO	
1	0.040 ALUMINUM RETURNS (2" DEPTH): PAINTED MP #643 SATIN: PMS 485
2	3/4" TRIM CAP: PAINTED MP #643 SATIN: PMS 485
3	3/16" ACRYLIC FACE: #7328 WHITE ACRYLIC WITH APPLIED 3M 3630-143 VINYL
4	LED UNITS (RED): PRINCIPAL PL-FS3 RD1-P
IDENTICAL SPECS	
5	2 3/4" DEEP FABRICATED ALUMINUM WIREWAY WITH POWER SUPPLIES LOCATED WITHIN
6	PRIMARY POWER CIRCUIT (PROVIDED/PERMITTED BY OTHERS) TO BE PLACED WITHIN 5 FEET OF CENTER OF SIGN
7	CONDUIT: SECONDARY ELECTRICAL RUN
8	0.063 ALUMINUM BACK: PRECOAT WHITE FINISH
9	MOUNTING HARDWARE: MECHANICAL HARDWARE AS REQUIRED FOR WALL CONDITIONS
10	WEEP HOLES WITH BAFFLES
11	1"W x 1/4" THK. ALUMINUM STRAPS FOR MOUNTING
12	BENT ALUMINUM "SHELF" FOR POWER SUPPLIES AS REQUIRED



A - SECTION DETAIL
NOT TO SCALE



All stores, with or without new signage, are required to install the mandatory store door template on all customer-facing doors.

- Remove all existing graphics from doors.
- Apply as first surface graphics - white and red cut vinyl.
- All graphics should be applied to one door.
- If two doors, install on right door.
- The top of the "H" from "Hello" cannot exceed 68" from the ground, no matter how it is installed.
- The top of the handicap symbol cannot exceed 24" from the ground, no matter how it is installed.

KEY NOTES

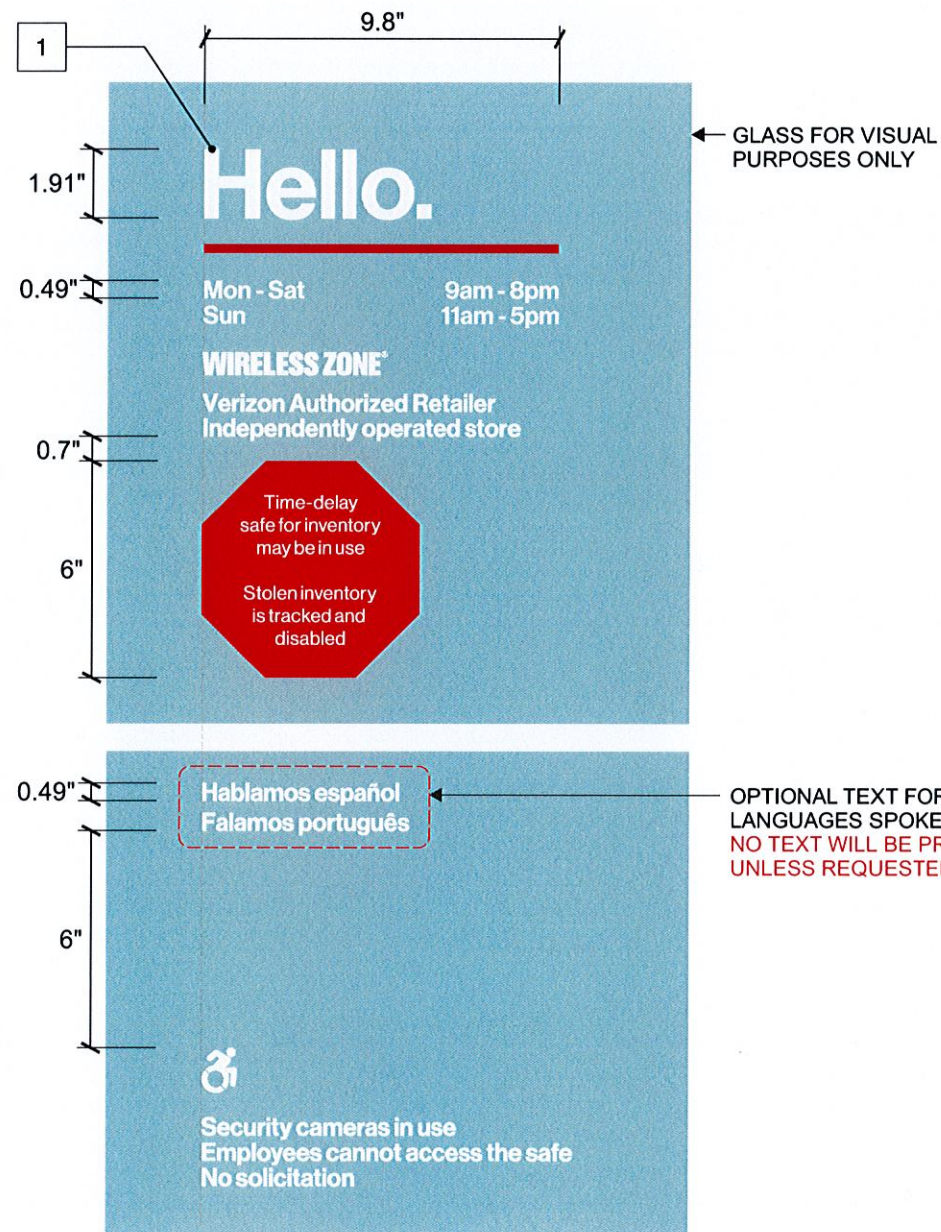
1	ONE SET OF FIRST SURFACE APPLIED VINYL GRAPHICS FOR ENTRANCE DOOR.
---	--

COLORS

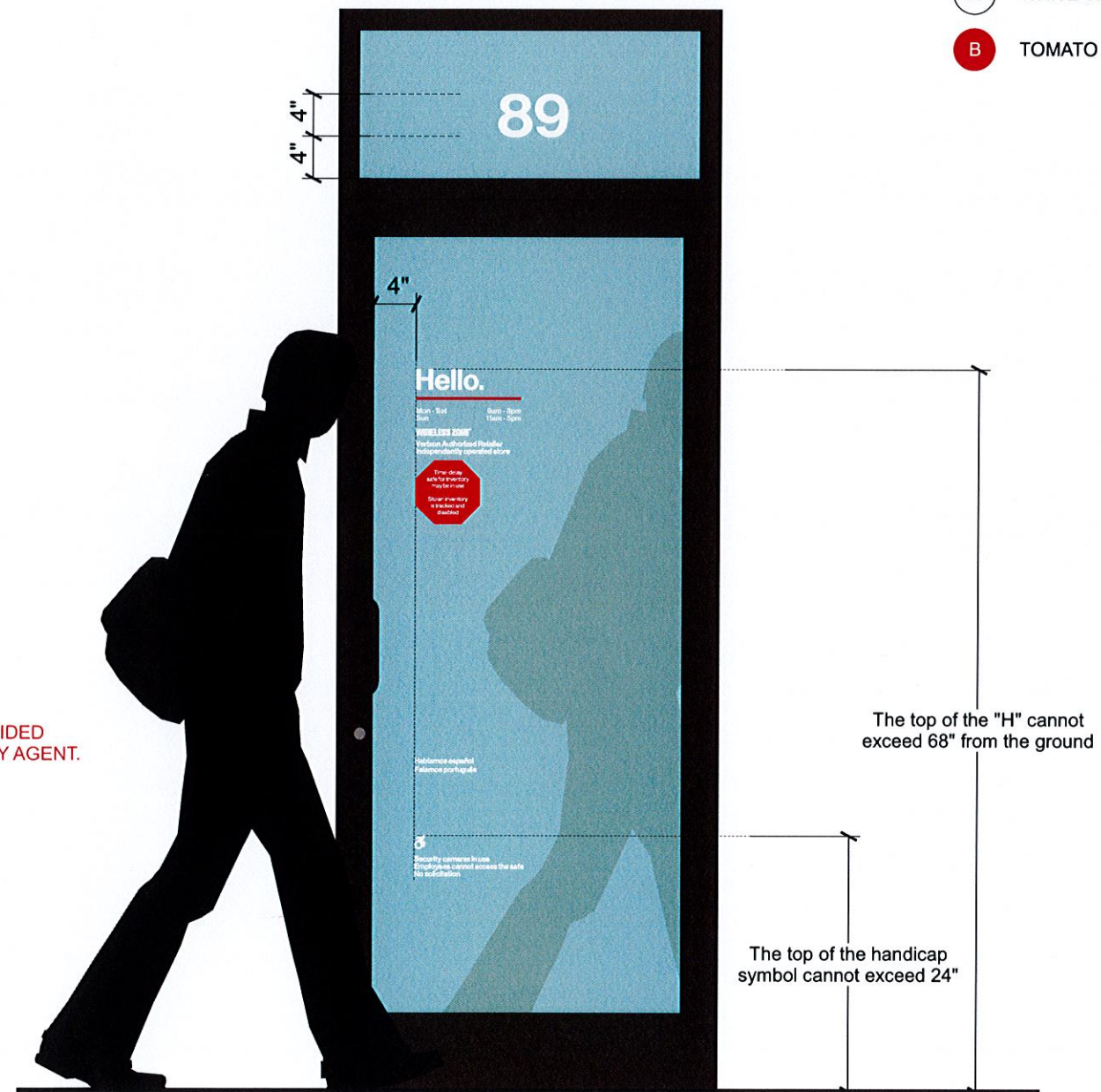
- A WHITE VINYL
- B TOMATO RED VINYL 3M 7725-13

Note for Install: Borders are cut to provide ease in a level install. Please be sure to remove border once vinyl is installed and level

***If there are two doors, install on right door.**



DOOR VINYL
SCALE: 3/16" = 1'-0"



ELEVATION VIEW
SCALE: 3/4" = 1'-0"

Date:	2-2-21	City, State:	Pearl River, NY	SHEET:	1 OF 2
Client:	Allen Industries	Overall Height:	20'-0" Max	Sean M. McFarland, P.E.	
Sign:	Verizon	Wind Speed	115 mph	McFarland Engineering	

Project Description 89 N Middletown Rd **Table of Contents**

ME Job:	51139 Sn 1	Content:	Page
		Design Loads.	1
		Connection Design.	1-2

ULTIMATE LOADS

Overall Size: 2'-4" x 10'-5"
 Mounting Height: 20'-0" Max

Mounting Style: Raceway Mounted Channel Letters, Various Attachment Methods
Structural Variables and Code Loading Specifications

Sign Type:	Channel Letters / Wall Signs	Code:	2018 IBC / 2020 NY State
Existing Wall Material:	Various	Wind Speed:	115
Sign Weight Per Foot:	5	Wind Exposure:	C

Wind Loads Per ASCE 7-16

Connection Design

Using ASCE 7-16 (Simplified Procedure)

Topography: Homogeneous I = 1.15 (Table 6-1)
 Exposure: C lambda = 1.29 (Figure 6-3, Exp. C, height = 20 ft)
 Enclosure: Enclosed Zone = 5 (End-Wall - Worst Case)
 Structure: Components and Cladding Effective Wind Area = 10 Sq. Ft.
 Building: Category II Net Wind Pressure = -24.1 (Figure 6-3)

Total Load Pnet = (lambda)*I*Pnet

Pnet (20) = -35.75 PSF

Sign Loads	Area	Pressure (Suction)	Tension Force	Shear Force
Letters (EA)	1.1 FT^2	-35.8 PSF	-38 LBF	5 LBF
"Check"	0.4 FT^2	-35.8 PSF	-13 LBF	2 LBF



Tension Connection Design

Connections	Tension / Connection
Total	250 LBF

3/8" Dia. Liberty Bolts Thru Bolts
 3/8" Dia. Thru Bolts

Total Raceway

8	-34 LBF	250 LBF
6	-45 LBF	295 LBF

Components to Raceway

Letters (EA)	Force	1/4" Dia. Thru Bolts	Force
3	-12.5 LBF	125 LBS	45 LBS
2	-6.3 LBF	125 LBS	45 LBS

Date:	2-2-21	City, State:	Pearl River, NY	SHEET:	2 OF 2
Client:	Allen Industries	Overall Height:	20'-0" Max	Sean M. McFarland, P.E.	
Sign:	Verizon	Wind Speed	115 mph	McFarland Engineering	

89 N Middletown Rd

ME Job: 51139 Sn 1

Shear

Connection Design

Connections	Shear /
Total	Connection

3/8" Dia. 3/8" Dia.
Liberty Bolts Thru Bolts

Total Raceway

8	5 LBF
6	6 LBF

175 LBF 295 LBF

**Combined Connector
(% of Capacity)**

Tension	Shear	Total
%	%	Capacity
		%

Total Raceway

8	Liberty Bolts -13.6%	2.8%	13.9%	OK
6	Thru Bolts -15.4%	2.2%	15.5%	OK

Liberty Bolts into Corrugated Metal
Thru Bolts Require Unistrut or Angle Backers

Connection Specifications

Attach Channel Letter Raceway to Corrugated Metal with Evenly Spaced Connectors. See Drawings for Complete Fabrication Specifications. Don't Overtighten Connectors. Use UNISTRUT Backers for Thru Wall Connectors. See Schedule for Letter Attachment Quantity to Raceway.

ME #: 51139



EXISTING SIGNAGE:
 EXISTING VERIZON SIGNAGE HEIGHT - 43"
 EXISTING ADJACENT TENANT SIGNAGE HEIGHT - TBD

EXISTING CONDITION



NOTE:
 ALL EXISTING, NON-STANDARD, WINDOW GRAPHICS AND SIGNAGE
 TO BE REMOVED AND REPLACED WITH NEW STANDARD GRAPHICS.

REVISED CONDITION

Alterations or additions to this engineering document by an unlicensed person is a violation of Chapter 16, Title VIII, Article 145 § 7209.2 of the New York State Education Law.

McFarland Engineering
 464 N. Hiddenbrook Dr.
 Advance, NC 27006
 Structural Sign Design & Engineering Services

Ph: (281) 813-7439
 Email: sean@signstructures.com
 Web: www.signstructures.com

VERIZON
 Address: 89 N MIDDLETOWN RD
 City/State: PEARL RIVER, NY
 Client: ALLEN INDUSTRIES

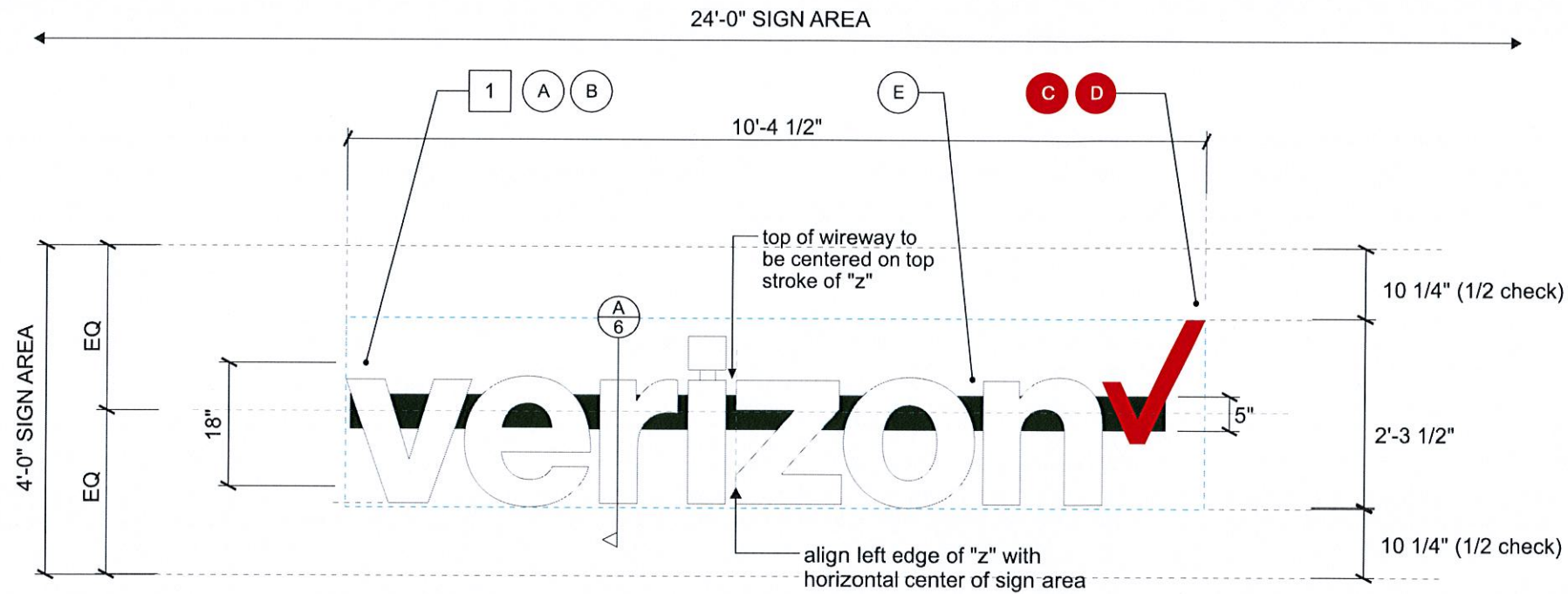
ENGINEERING OF ATTACHMENT TO WALL ONLY. NO CABINET ENGINEERING OR EVALUATION OF AS BUILT WALL CONDITIONS PROVIDED OR IMPLIED.

Initial Drawing: (51139) DS



The electronic seal appearing on this document was authorized by Sean M. McFarland, PE on February 6, 2021.
 Date: 2-2-2021
 Sheet #: 1 OF 3
 NC Firm Registration: F-1136
 New York License Number: 82641
 New York Expiration Date: 1/16/2022

ME #: 51139



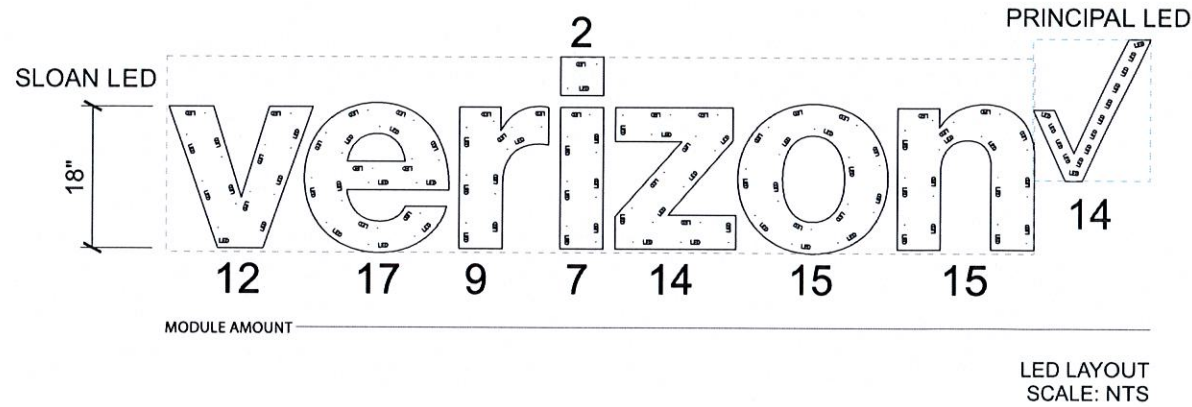
SIGN 1 - EAST ELEVATION
SCALE: 1/2" = 1'-0"

KEY NOTES

1 2" DEEP, FACE-LIT, FABRICATED ALUMINUM CHANNEL LETTERS MOUNTED TO 2 3/4" DEEP FABRICATED ALUMINUM WIREWAY.

COLORS

- A 3/16" P95 ACRYLIC
- B MP #6425 SP SATIN HI HIDE WHITE TRIM & RETURNS
- C #7328 WHITE ACRYLIC WITH APPLIED TRANSLUCENT VINYL 3M 3630-143 POPPY RED
- D MP #643 SATIN PMS 485 TRIM & RETURNS
- E WIREWAY PAINTED TO MATCH FACADE SW 6762 POSIEDON; LRV = 11



- E 91 ea. SloanLED Prism #701269-6WSJ1-MB
- 14 ea. Principal PL-FS3-RD1-P
- 1 ea. Sloan 120D1 + 1 ea. Sloan 60C1 Power Supply
- Total Electrical Amp Load = 2.4 Amps
- One (1) 120 Volt - 20 Amp
- Circuit Breaker Required for Sign



TARGET "V" HEIGHT: 21"
ACTUAL "V" HEIGHT: 18"
23.9 SF

Alterations or additions to this engineering document by an unlicensed person is a violation of Chapter 16, Title VIII, Article 145 § 7209.2 of the New York State Education Law.

McFarland Engineering
464 N. Hiddenbrook Dr,
Advance, NC 27006
Structural Sign Design & Engineering Services

Ph: (281) 813-7439
Email: sean@signstructures.com
Web: www.signstructures.com

VERIZON
Address: 89 N MIDDLETOWN RD
City/State: PEARL RIVER, NY
Client: ALLEN INDUSTRIES

ENGINEERING OF ATTACHMENT TO WALL ONLY. NO CABINET ENGINEERING OR EVALUATION OF AS BUILT WALL CONDITIONS PROVIDED OR IMPLIED.

Initial Drawing: (51139) DS



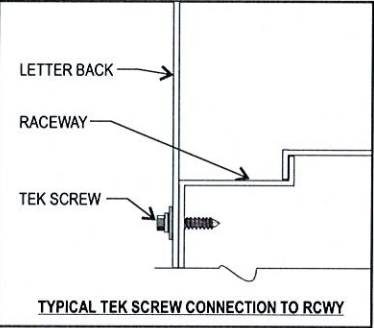
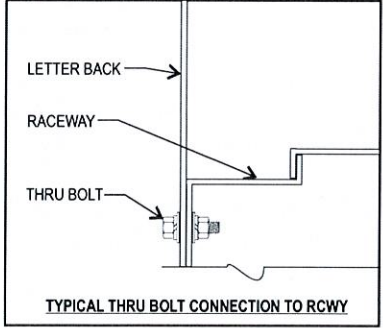
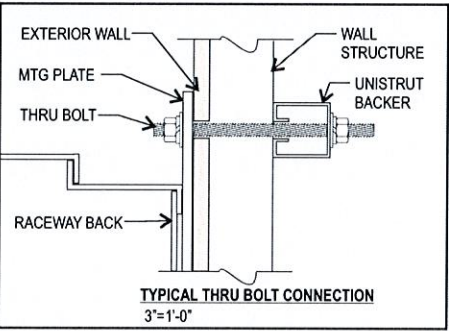
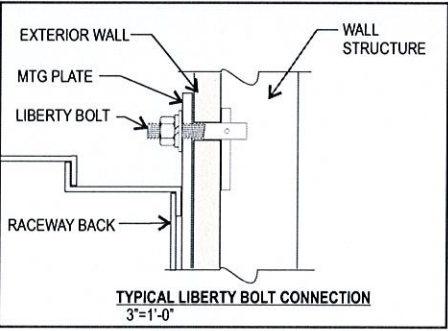
The electronic seal appearing on this document was authorized by Sean M. McFarland, PE on February 6, 2021.
Date: 2-2-2021
Sheet #: 2 OF 3
NC Firm Registration: F-1136
New York License Number: 82641
New York Registration Date: 11/20/2012

ME #: 51139

Connection Specifications
 Attach Channel Letter Raceway to Corrugated Metal with Evenly Spaced Connectors. See Drawings for Complete Fabrication Specifications. Don't Overtighten Connectors. Use UNISTRUT Backers for Thru Wall Connectors. See Schedule for Letter Attachment Quantity to Raceway.

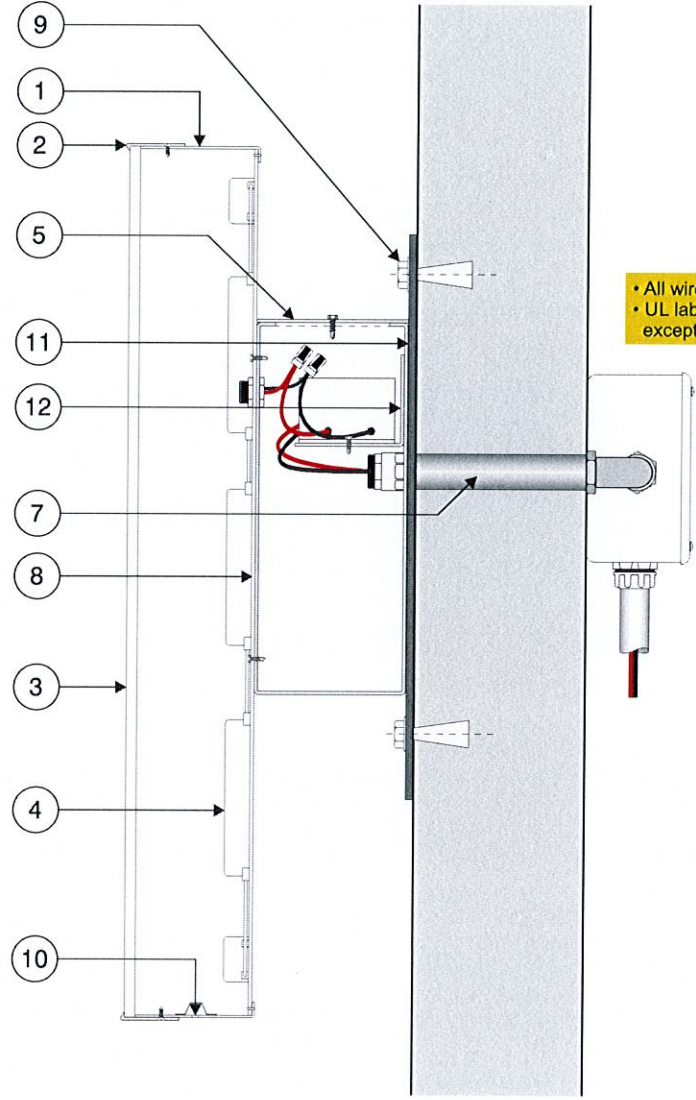
CONNECTION QUANTITY	1	2	3	4
	3/8" LIBERTY BOLTS	3/8" THRU BOLTS	1/4" THRU BOLTS	1/4" TEKS
TOTAL RACEWAY	8	6		
LETTERS (EA)			3	4
"CHECK"			2	3

Liberty Bolts into Corrugated Metal
 Thru Bolts Require Unistrut or Angle Backers



VERIZON LETTERS	
1	0.040 ALUMINUM RETURNS (2" DEPTH): PAINTED MP #6425 SP SATIN HI HIDE WHITE
2	3/4" TRIM CAP: PAINTED MP #6425 SP SATIN HI HIDE WHITE
3	3/16" ACRYLIC FACE: #7328 P95 ACRYLIC
4	LED UNITS (WHITE): SLOAN V180 STANDARD 701269-6WSG1-MB
CHECKMARK LOGO	
1	0.040 ALUMINUM RETURNS (2" DEPTH): PAINTED MP #643 SATIN: PMS 485
2	3/4" TRIM CAP: PAINTED MP #643 SATIN: PMS 485
3	3/16" ACRYLIC FACE: #7328 WHITE ACRYLIC WITH APPLIED 3M 3630-143 VINYL
4	LED UNITS (RED): PRINCIPAL PL-FS3 RD1-P
IDENTICAL SPECS	
5	2 3/4" DEEP FABRICATED ALUMINUM WIREWAY WITH POWER SUPPLIES LOCATED WITHIN
6	PRIMARY POWER CIRCUIT (PROVIDED/PERMITTED BY OTHERS) TO BE PLACED WITHIN 5 FEET OF CENTER OF SIGN
7	CONDUIT: SECONDARY ELECTRICAL RUN
8	0.063 ALUMINUM BACK: PRECOAT WHITE FINISH
9	REFER CONNECTOR OPTIONS ON THE LEFT.
10	WEEP HOLES WITH BAFFLES
11	1"W x 1/4" THK. ALUMINUM STRAPS FOR MOUNTING
12	BENT ALUMINUM "SHELF" FOR POWER SUPPLIES AS REQUIRED

A - SECTION DETAIL
 NOT TO SCALE



Alterations or additions to this engineering document by an unlicensed person is a violation of Chapter 16, Title VIII, Article 145 § 7209.2 of the New York State Education Law.

M McFarland Engineering
 464 N. Hiddenbrook Dr.
 Advance, NC 27006
 Structural Sign Design & Engineering Services

Ph: (281) 813-7439
 Email: sean@signstructures.com
 Web: www.signstructures.com

VERIZON
 Address: 89 N MIDDLETOWN RD
 City/State: PEARL RIVER, NY
 Client: ALLEN INDUSTRIES

ENGINEERING OF ATTACHMENT TO WALL ONLY. NO CABINET ENGINEERING OR EVALUATION OF AS BUILT WALL CONDITIONS PROVIDED OR IMPLIED.

Initial Drawing: (51139) DS

DocuSigned by: Sean M. McFarland
 1BDD47...

The electronic seal appearing on this document was authorized by Sean M. McFarland, PE on February 6, 2021.
 Date: 2-2-2021
 Sheet #: 3 OF 3
 NC Firm Registration: F-1136
 New York License Number: 82641
 New York License Expiration Date: 11/20/2022